





# CONTENTS

## INDEX

<i>SERIES</i>	<i>DESCRIPTION</i>	<i>PAGE</i>
SS01	FERRULE 1-WIRE SKIVE HOSE	3
SN01	FERRULE 1-WIRE NON-SKIVE HOSE	3
SS02	FERRULE 2-WIRE SKIVE HOSE	4
SN02	FERRULE 2-WIRE NON-SKIVE HOSE	4
MS00	FERRULE-MULTI-SPIRAL HOSE	5
HMS0	FERRULE-MULTISPIRAL HOSE (R9-R9R)	5
S001	BSP STRAIGHT FEMALE 30° SEAT ANGLE	6
S002	BSP STRAIGHT FEMALE FLAT SEAT	7
S003	SAE STRAIGHT FEMALE 45° SEAT ANGLE	8
S005	JIC STRAIGHT FEMALE 37° SEAT ANGLE	9
S006	'O' RING SEAL (ORS) FEMALE SWIVEL-STRAIGHT	10
S009	SAE 45° FLARE MALE	11
S012	BSPP MALE	12
S013	BSPP MALE FLAT FACE	13
S015	BSPT MALE	14
S016	NPT MALE	15
S018	JIC 37° FLARE MALE	16
S019	JIC BULKHEAD MALE 37° SEAT ANGLE	17
S020	UN 'O'-RING BOSS MALE	18
S023	SAE STRAIGHT FLANGE	19
S026	BSP FEMALE INVERTED CONE 30° SEAT ANGLE (ST)	20
S051	BSP 90° SWEPT ELBOW	21
S055	JIC 90° SWEPT ELBOW 37° SEAT ANGLE	22
S056	ORS FEMALE SWIVEL 90° ELBOW	23
S059	SAE 90° SWEPT ELBOW FLANGE	24
S060	BSP 45° SWEPT ELBOW	25
S062	SAE 22-1/2° SWEPT ELBOW FLANGE	26
S063	SAE 30° SWEPT ELBOW FLANGE	27
S064	JIC 45° SWEPT ELBOW 37° SEAT ANGLE	28
S066	SAE 60° SWEPT ELBOW FLANGE	29
S067	SAE 67-1/2° SWEPT ELBOW FLANGE	30



# CONTENTS

## INDEX

<i>SERIES</i>	<i>DESCRIPTION</i>	<i>PAGE</i>
S068	SAE 45° SWEPT ELBOW FLANGE	31
S094	BANJO FOR BSP BOLTS	32
S095	BANJO FOR METRIC BOLTS	33
S096	LIFESAVER	34
S097	PIPE STAND-LIGHT DUTY	35
S098	PIPE STAND-HEAVY DUTY	36
S099	PIPE STAND-FRENCH TYPE	37
S551	BSP COMPACT ELBOW	38
S555	JIC COMPACT ELBOW	39
S666	'ORS' FEMALE SWIVEL 45° ELBOW	40
S801	METRIC FEMALE 60° SEAT ANGLE	41
S802	METRIC FEMALE-FLAT SEAT	42
S803	METRIC FEMALE-LIGHT DUTY 24° SEAT ANGLE	43
S804	METRIC FEMALE-HEAVY DUTY 24° SEAT ANGLE	44
S805	METRIC STRAIGHT FEMALE-FRENCH TYPE	45
S806	'O'-RING STRAIGHT FEMALE (DKO) HEAVY DUTY	46
S811	METRIC MALE 60° SEAT	47
S813	METRIC MALE 24° SEAT LIGHT DUTY TYPE (ST)	48
S814	METRIC MALE 24° SEAT HEAVY DUTY TYPE (ST)	49
S815	METRIC MALE-FRENCH TYPE (ST)	50
S818	JIS 30° FLARE MALE (ST)	51
S819	JIS BULKHEAD MALE 30° SEAT ANGLE (ST)	52
S851	METRIC 90° SWEPT ELBOW 60° CONE (ST)	53
S853	METRIC 90° SWEPT ELBOW-LIGHT DUTY 24° SEAT (ST)	54
S854	METRIC 90° SWEPT ELBOW-HEAVY DUTY 24° SEAT (ST)	55
S855	METRIC 90° SWEPT ELBOW-FRENCH TYPE 24° SEAT (ST)	56
S856	METRIC 90° O-RING SWEPT ELBOW (DKO) (ST)	57
S861	METRIC 45° SWEPT ELBOW 60° SEAT (ST)	58
S863	METRIC 45° SWEPT ELBOW-LIGHT DUTY 24° SEAT (ST)	59
S864	METRIC 45° SWEPT ELBOW-HEAVY DUTY 24° SEAT (ST)	60
S865	METRIC 45° SWEPT ELBOW-FRENCH TYPE 24° SEAT (ST)	61
S866	METRIC 45° 'O' RING SWEPT ELBOW (DKO) (ST)	62
S870	JAPANESE METRIC FEMALE 30° SEAT (ST)	63
S880	METRIC MALE WITH 'O' RING GROOVE (ST)	64



# CONTENTS

## INDEX

<i>SERIES</i>	<i>DESCRIPTION</i>	<i>PAGE</i>
ADAB	BSPT-BSPP ADAPTORS	65
ADCA	BSPP FEMALE – BSPT ADAPTORS	65
ADCB	BSPP FEMALE – BSPP ADAPTORS	66
ADCN	BSPP FEMALE – UN-‘0’- RING BOSS ADAPTORS	66
ADGA	JIC – BSPT ADAPTORS	67
ADGL	JIC – NPT ADAPTORS	67
ADNB	‘O’-RING BOSS – BSPP ADAPTORS	68
ADGN	JIC – ‘O’-RING BOSS ADAPTORS	68
	SOLID PIECE RANGE AND CATERPILLAR® RANGE	69



# SUNFLEX

---

## FITTINGS

---

## General Information

- The standard fittings shown in this catalogue are made from quality steel machined to close tolerances.
- We also produce special fittings and related turned parts of steel or other materials on request.
- Rainbow-zinc plating with passivation on standard fittings – other protective finishing could also be supplied on request.
- Screw threads are machined to internationally accepted standards such as:  
BSP                    UN 1338                    METRIC: ISO – 6H  
JIC/SAE            Class 2                    NPTF : ASA

It is recommended that our fittings should be used in sets. Mix use of our fittings with others could result in unsatisfactory performance of final products.

## Legend

The legends following the part numbers indicate that:

- (S)            Standard tail (R1 & R2)
- (L)            Multispiral tail
- (N)            Ferrules able to be used on R1T/R2T hose
- (V)            Solid type
- (VS)          Solid piece – standard tail
- (VL)          Solid piece – multispiral tail
- Code 61      3000psi
- Code 62      6000psi
- Thrust-Wire Nut Fittings
- L              Long Nut or Long Leg Fittings or Long tube
- HD            Heavy Duty Nut Fittings or Caterpillar® or 9000 series
- NH            No hole

## Box Sizes

- Box 1 – 153mm(L) x 153mm(W) x 153mm (H)
- Box 2 - 254mm(L) x 153mm(W) x 153mm(H)
- Box 3 – 254mm(L) x 254mm(W) x 153mm(H)

Caterpillar® and Cat® are registered trademarks of Caterpillar Inc. All manufacturer's names, numbers, symbols and descriptions are used for reference purposes only and do not imply that any part listed is a product of these manufacturers.

We reserve the right to alter the design, specifications, or to discontinue the production of any items listed in this catalogue.



## **How to Order**

The inserts and ferrules are supplied separately. Normally the inserts are common to all types of hoses, only the ferrules are required to match the hose to be used.

### **EXAMPLE 1**

1-1/16" JIC Straight Female  
To fit on 3/4" Nominal Bore, 2-wire SAE100R2T Non Skive Hose

Ferrule           SN02-12

Insert            S005-17-12 (S)

### **EXAMPLE 2**

If the hose for above is 3/4" Nominal Bore, 2-wire SAE100RA Skive Hose

Ferrule           SS02-12

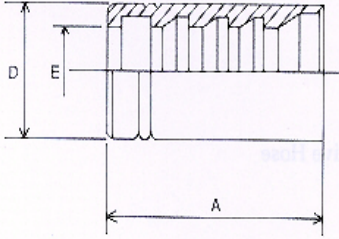
Insert            S005-17-12 (S)

### **EXAMPLE 3**

If the hose for above is 3/4" Nominal Bore, Multi-Spiral SAE100R9 Hose

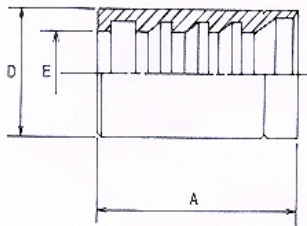
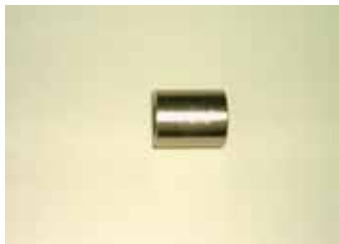
Ferrule           MS00-12

Insert            S005-17-12 (L)



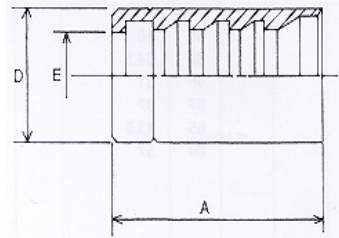
[Contents Page](#)

SS01 SERIES – FERRULE 1 – WIRE SKIVE HOSE									
PART NUMBER	HOSE BORE	THREAD	DIMENSIONS mm						
	I	T	A	B	C	D	E	H	L
SS01-04	1/4"		30			19	11.5		
SS01-06	3/8"		32			23	14		
SS01-08	1/2"		34			26	18.5		
SS01-10	5/8"		38			30	22		
SS01-12	3/4"		43			34	25		
SS01-16	1"		51			43	31		
SS01-20	1-1/4"		53			50	38		
SS01-24	1-1/2"		60			57	44.5		
SS01-32	2"		75			70	57.5		



[Contents Page](#)

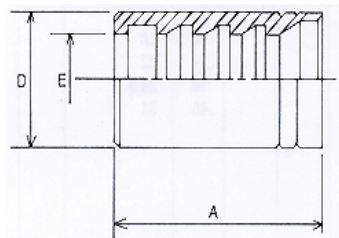
SN01 SERIES – FERRULE 1 – WIRE NON-SKIVE HOSE									
PART NUMBER	HOSE BORE	THREAD	DIMENSIONS mm						
	I	T	A	B	C	D	E	H	L
SN01-04	1/4"		30			20	11.5		
SN01-05	5/16"		30			20.5	12.7		
SN01-06	3/8"		32			23	14		
SN01-08	1/2"		34			26	18.5		
SN01-10	5/8"		38			30	22		
SN01-12	3/4"		43			34	25		
SN01-16	1"		51			43	31		
SN01-20	1-1/4"		59			50.8	38.5		
SN01-24	1-1/2"		63.5			59	44.8		
SN01-32	2"		78			73.5	57.5		



[Contents page](#)

### SS02 SERIES – FERRULE 2 – WIRE SKIVE HOSE

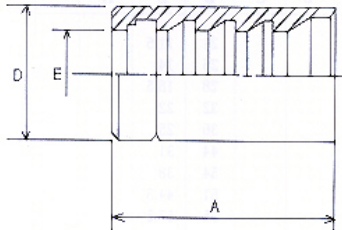
PART NUMBER	HOSE BORE	THREAD	DIMENSIONS mm								
	I		T	A	B	C	D	E	H	L	
SS02-04	1/4"		30			21	11.5				
SS02-06	3/8"		32			25	14				
SS02-08	1/2"		34			28	18.5				
SS02-10	5/8"		38			32	22				
SS02-12	3/4"		41			36	25				
SS02-16	1"		50			44	31				
SS02-20	1-1/4"		59			54	38				
SS02-24	1-1/2"		67			61	44.5				
SS02-32	2"		78			75	57.5				



[Contents page](#)

### SN02 SERIES – FERRULE 2 – WIRE NON-SKIVE HOSE

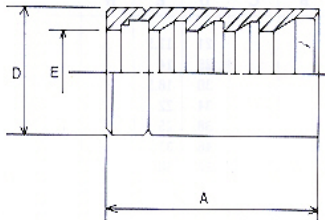
PART NUMBER	HOSE BORE	THREAD	DIMENSIONS mm								
	I		T	A	B	C	D	E	H	L	
SN02-04	1/4"		30			21	11.5				
SN02-05	5/16"		31			23	12.9				
SN02-06	3/8"		32			25	14				
SN02-08	1/2"		34			28	18.5				
SN02-10	5/8"		38			32	22				
SN02-12	3/4"		43			36	25				
SN02-16	1"		57			46	31				
SN02-20	1-1/4"		59			57	38				
SN02-24	1-1/2"		63.5			63.5	44.8				
SN02-32	2"		79			76.2	57.5				



[Contents Page](#)

**MS00 SERIES – FERRULE – MULTI-SPIRAL HOSE**

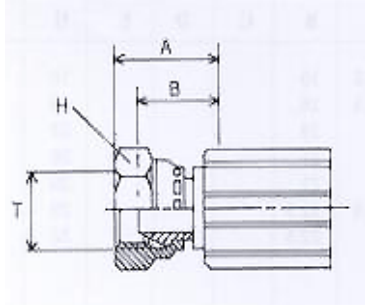
PART NUMBER	HOSE BORE	THREAD	DIMENSIONS mm								
	I		T	A	B	C	D	E	H	L	
MS00-04	1/4"		32			23	11.5				
MS00-06	3/8"		32			25	14				
MS00-08	1/2"		44			30	18				
MS00-12	3/4"		52			38	25				
MS00-16	1"		65			46	31				
MS00-20	1-1/4"		77			57	38.5				
MS00-24	1-1/2"		86			63	43.5				
MS00-32	2"		98			80	57				



[Contents Page](#)

**HMS0 SERIES – FERRULE – MULTISPIRAL HOSE (R9-R9R)**

PART NUMBER	HOSE BORE	THREAD	DIMENSIONS mm								
	I		T	A	B	C	D	E	H	L	
HMS0-04	1/4"		30			21	11.5				
HMS0-06	3/8"		32			25.4	14.5				
HMS0-08	1/2"		34			30	18				
HMS0-10	5/8"		37			34	22				
HMS0-12	3/4"		46			38	24.5				
HMS0-16	1"		50			46	31				
HMS0-20	1-1/4"		59			56	38.5				
HMS0-24	1-1/2"		76			62	44.8				
HMS0-32	2"		79			76	57				



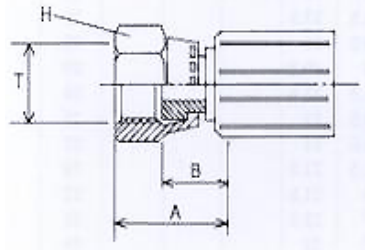
[Contents Page](#)

**S001 SERIES – BSP STRAIGHT FEMALE 30° SEAT ANGLE  
– STANDARD TAIL**

PART NUMBER	HOSE BORE	THREAD	DIMENSIONS mm							
	I	T	A	B	C	D	E	H	L	
S001-04-04 (S)	1/4"	1/4 – 19	22	18				19		
S001-06-06 (S)	3/8"	3/8 – 19	24	19				22		
S001-08-06 (S)	3/8"	1/2 – 14	26.5	20.5				26		
S001-08-08 (S)	1/2"	1/2 – 14	27	21				26		
S001-10-08 (S)	1/2"	5/8 – 14	31	24				29		
S001-10-10 (S)	5/8"	5/8 – 14	31	24				29		
S001-12-12 (S)	3/4"	3/4 – 14	31	25				32		
S001-16-16 (S)	1"	1" – 11	40	31				38		
S001-20-16 (S)	1"	1-1/4 – 11	59	47				50.8		
S001-20-20 (S)	1-1/4"	1-1/4 – 11	46.5	35.5				50.8		
S001-24-24 • (S)	1-1/2"	1-1/2 – 11	46.5	35.5				57		
S001-32-32 • (S)	2"	2" – 11	37	31				70		

**S001 SERIES – BSP STRAIGHT FEMALE 30° SEAT ANGLE  
– MULTI SPIRAL TAIL**

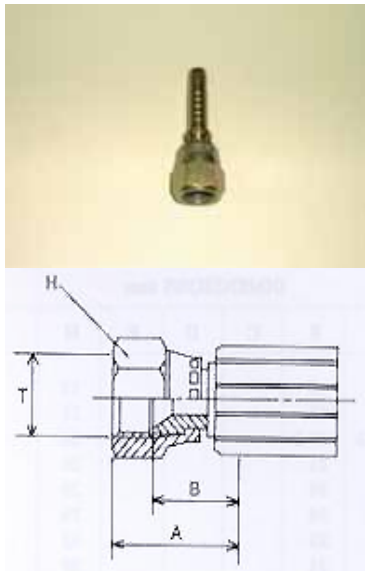
PART NUMBER	HOSE BORE	THREAD	DIMENSIONS mm							
	I	T	A	B	C	D	E	H	L	
S001-12-12 (L)	3/4"	3/4 – 14	31	25				32		
S001-16-16 (L)	1"	1" – 11	40	31				38		
S001-20-16 (L)	1"	1-1/4 – 11	59	47				50.8		
S001-20-20 (L)	1-1/4"	1-1/4 – 11	46.5	35.5				50.8		
S001-24-24 • (L)	1-1/2"	1-1/2 – 11	46.5	35.5				57		
S001-32-32 • (L)	2"	2" – 11	37	31				70		
S001-12-12HD (L)	3/4"	3/4 – 14	34	26.5				35		
S001-16-16HD (L)	1"	1" – 11	37.5	27.5				41		



[Contents Page](#)

**S002 SERIES – BSP STRAIGHT FEMALE FLAT SEAT**

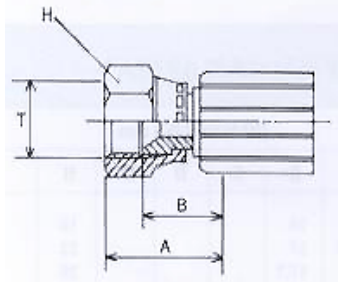
PART NUMBER	HOSE BORE	THREAD	DIMENSIONS mm						
	I	T	A	B	C	D	E	H	L
S002-04-04 (S)	1/4"	1/4 – 19	22	16				19	
S002-06-06 (S)	3/8"	3/8 – 19	24.5	17				22	
S002-08-06 (S)	3/8"	1/2 – 14	27	17.7				26	
S002-06-08 (S)	1/2"	3/8 – 19	24.5	17				22	
S002-08-08 (S)	1/2"	1/2 – 14	27.5	18				26	
S002-12-08 (S)	1/2"	3/4 – 14	33	22.5				32	
S002-12-12 (S)	3/4"	3/4 – 14	34	22.5				32	
S002-16-16 (S)	1"	1" – 11	37.5	24.5				38	



[Contents Page](#)

<b>S003 SERIES – SAE STRAIGHT FEMALE 45° SEAT ANGLE – STANDARD TAIL</b>										
PART NUMBER	HOSE BORE	THREAD	DIMENSIONS mm							
	I	T	A	B	C	D	E	H	L	
S003-07-04 (S)	1/4"	7/16 – 20	24.5	16				16		
S003-08-04 (S)	1/4"	1/2 – 20	24.5	16				19		
S003-10-06 (S)	3/8"	5/8 – 18	27	18				22		
S003-12-08 (S)	1/2"	3/4 – 16	31	21				22		
S003-14-08 (S)	1/2"	7/8 – 14	31	21				26		
S003-14-10 (S)	5/8"	7/8 – 14	31.5	22.5				26		
S003-17-12 (S)	3/4"	1-1/16 – 14	37	22.5				32		

<b>S003 SERIES – SAE STRAIGHT FEMALE 45° SEAT ANGLE – MULTISPIRAL TAIL</b>										
PART NUMBER	HOSE BORE	THREAD	DIMENSIONS mm							
	I	T	A	B	C	D	E	H	L	
S003-17-12 (L)	3/4"	1-1/16 – 14	37	22.5				32		



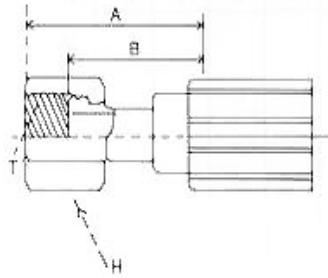
[Contents Page](#)

**S005 SERIES – JIC STRAIGHT FEMALE 37° SEAT ANGLE  
– STANDARD TAIL**

PART NUMBER	HOSE BORE	THREAD	DIMENSIONS mm							
	I	T	A	B	C	D	E	H	L	
S005-07-04 (S)	1/4"	7/16 – 20	24.5	16				16		
S005-08-04 (S)	1/4"	1/2 – 18	24.5	15				19		
S005-09-04 (S)	1/4"	9/16 – 18	25	16				19		
S005-09-06 (S)	3/8"	9/16 – 18	26.5	17.5				19		
S005-12-06 (S)	3/8"	3/4 – 16	30.5	20				22		
S005-14-06 (S)	3/8"	7/8 – 14	30	20.5				26		
S005-12-08 (S)	1/2"	3/4 – 16	31.5	21.5				22		
S005-14-08 (S)	1/2"	7/8 – 14	30.5	21				26		
S005-17-08 (S)	1/2"	1-1/16 – 12	35.5	21				32		
S005-14-10 (S)	5/8"	7/8 – 14	31.5	22.5				26		
S005-17-10 (S)	5/8"	1-1/16 – 12	36	21.5				32		
S005-17-12 (S)	3/4"	1-1/16 – 12	37	22.5				32		
S005-19-12 (S)	3/4"	1-3/16 – 12	37	23				35		
S005-21-12 (S)	3/4"	1-5/16 – 12	38	23				38		
S005-21-16 (S)	1"	1-5/16 – 12	38	24				38		
S005-26-20 (S)	1-1/4"	1-5/8 – 12	42	26				50.8		
S005-30-24 • (S)	1-1/2"	1-7/8 – 12	44.5	26				57		
S005-40-32 • (S)	2"	2-1/2 – 12	47	32				70		
S005-12-06HD (S)	3/8"	3/4 – 16	30.5	20.5				26		
S005-12-08HD (S)	1/2"	3/4 – 16	31	21				26		
S005-14-08HD (S)	1/2"	7/8 – 14	30.5	21				29		
S005-14-10HD (S)	5/8"	7/8 – 14	31	22				29		

**S005 SERIES – JIC STRAIGHT FEMALE 37° SEAT ANGLE  
– MULTISPIRAL TAIL**

PART NUMBER	HOSE BORE	THREAD	DIMENSIONS mm							
	I	T	A	B	C	D	E	H	L	
S005-17-12 (L)	3/4"	1-1/16 – 12	37	22.5				32		
S005-19-12 (L)	3/4"	1-3/16 – 12	37	23				35		
S005-21-12 (L)	3/4"	1-5/16 – 12	38	23				38		
S005-21-16 (L)	1"	1-5/16 – 12	38	24				38		
S005-26-20 (L)	1-1/4"	1-5/8 – 12	42	26				50.8		
S005-30-24 • (L)	1-1/2"	1-7/8 – 12	44.5	26				57		
S005-40-32 • (L)	2"	2-1/2 – 12	47	32				70		
S005-21-16HD (L)	1"	1-5/16 – 12	39	23.5				41		



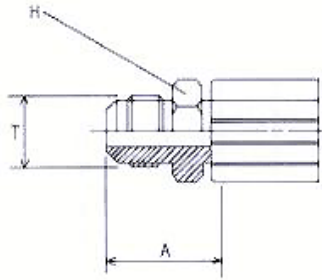
[Contents Page](#)

**S006 SERIES – ‘0’ – RING SEAL (ORS) FEMALE SWIVEL-STRAIGHT – STANDARD TAIL**

PART NUMBER	HOSE BORE	THREAD	DIMENSIONS mm						
	I	T	A	B	C	D	E	H	L
S006-09-04 (S)	1/4"	9/16 – 18	37	28.5				19	
S006-11-06 (S)	3/8"	11/16 – 16	40.5	31.5				22	
S006-13-08 (S)	1/2"	13/16 – 16	47	36				26	
S006-16-10 (S)	5/8"	1 – 14	54	41.5				32	
S006-19-12 (S)	3/4"	1-3/16 – 12	58	45				35	
S006-23-16 (S)	1"	1-7/16 – 12	63.5	49				44	
S006-27-20 (S)	1-1/4"	1-11/16 – 12	70.5	55.5				48	
S006-32-24 (S)	1-1/2"	2 – 12	68.5	55				57	

**S006 SERIES – ‘0’ – RING SEAL (ORS) FEMALE SWIVEL-STRAIGHT – MULTISPIRAL TAIL**

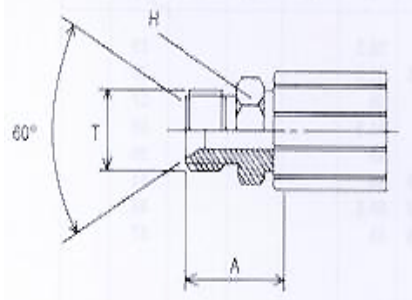
PART NUMBER	HOSE BORE	THREAD	DIMENSIONS mm						
	I	T	A	B	C	D	E	H	L
S006-19-12 (L)	3/4"	1-3/16 – 12	58	45				35	
S006-23-16 (L)	1"	1-7/16 – 12	63.5	49				44	
S006-27-20 (L)	1-1/4"	1-11/16 – 12	70.5	55.5				48	
S006-32-24 (L)	1-1/2"	2 – 12	68.5	55				57	



[Contents Page](#)

S009 SERIES – SAE 45° FLARE MALE – STANDARD SPIRAL										
PART NUMBER	HOSE BORE	THREAD	DIMENSIONS mm							
	I	T	A	B	C	D	E	H	L	
S009-07-04 (S)	1/4"	7/16 – 20	27.5						12.7	
S009-08-04 (S)	1/4"	1/2 – 20	27.5						16	
S009-10-06 (S)	3/8"	5/8 – 18	28.5						19	
S009-12-08 (S)	1/2"	3/4 – 16	32						22	
S009-14-10 (S)	5/8"	7/8 – 14	34						26	
S009-17-12 (S)	3/4"	1-1/16 – 14	42						29	

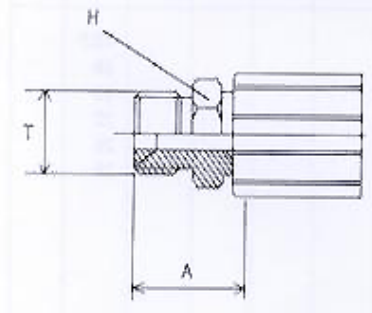
S009 SERIES – SAE 45° FLARE MALE – MULTISPIRAL TAIL										
PART NUMBER	HOSE BORE	THREAD	DIMENSIONS mm							
	I	T	A	B	C	D	E	H	L	
S009-17-12 (L)	3/4"	1-1/16 – 14	42						29	



[Contents Page](#)

S012 SERIES – BSPP MALE – STANDARD TAIL									
PART NUMBER	HOSE BORE	THREAD	DIMENSIONS mm						
	I	T	A	B	C	D	E	H	L
S012-04-04 (S)	1/4"	1/4 – 19	25					19	
S012-06-06 (S)	3/8"	3/8 – 19	28.5					22	
S012-08-08 (S)	1/2"	1/2 – 14	31					26	
S012-10-10 (S)	5/8"	5/8 – 14	33					29	
S012-12-12 (S)	3/4"	3/4 – 14	38					32	
S012-16-16 (S)	1"	1" – 11	43					38	
S012-20-20 (S)	1 1/4"	1 1/4" – 11	48					48	

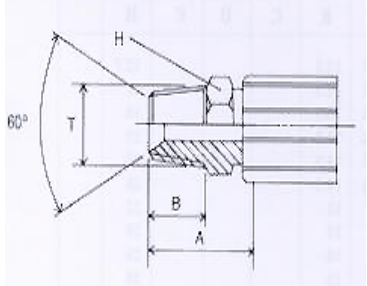
S012 SERIES – BSPP MALE – MULTISPIRAL TAIL									
PART NUMBER	HOSE BORE	THREAD	DIMENSIONS mm						
	I	T	A	B	C	D	E	H	L
S012-12-12 (L)	3/4"	3/4 – 14	38					32	
S012-16-16 (L)	1"	1" – 11	43					38	
S012-20-20 (L)	1 1/4"	1 1/4" – 11	48					48	



[Contents Page](#)

S013 – BSPP MALE FLAT FACE – STANDARD TAIL										
PART NUMBER	HOSE BORE	THREAD	DIMENSIONS mm							
	I	T	A	B	C	D	E	H	L	
S013-04-04 (S)	1/4"	1/4 – 19	25						19	
S013-06-04 (S)	1/4"	3/8 – 19	25						22	
S013-06-06 (S)	3/8"	3/8 – 19	25.5						22	
S013-08-08 (S)	1/2"	1/2 – 14	30						26	
S013-12-10 (S)	5/8"	3/4 – 14	34.5						35	
S013-12-12 (S)	3/4"	3/4 – 14	36						35	
S013-16-12 (S)	3/4"	1" – 11	38						38	
S013-12-16 (S)	1"	3/4 – 14	38						35	
S013-16-16 (S)	1"	1 – 11	40						38	
S013-20-16 (S)	1"	1-1/4 – 11	42.5						48	

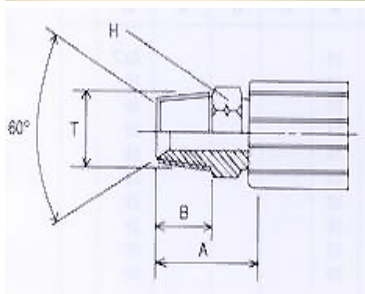
S013 – BSPP MALE FLAT FACE – MULTISPIRAL TAIL										
PART NUMBER	HOSE BORE	THREAD	DIMENSIONS mm							
	I	T	A	B	C	D	E	H	L	
S013-12-12 (L)	3/4"	3/4 – 14	36						35	
S013-16-12 (L)	3/4"	1" – 11	38						38	
S013-12-16 (L)	1"	3/4 – 14	38						35	
S013-16-16 (L)	1"	1 – 11	40						38	
S013-20-16 (L)	1"	1-1/4 – 11	42.5						48	



[Contents Page](#)

S015 SERIES – BSPT MALE – STANDARD TAIL										
PART NUMBER	HOSE BORE	THREAD	DIMENSIONS mm							
	I	T	A	B	C	D	E	H	L	
S015-02-04 (S)	1/4"	1/8 – 28	24	12.5				12.7		
S015-04-04 (S)	1/4"	1/4 – 19	25.5	12.5				16		
S015-04-06 (S)	3/8"	1/4 – 19	26	12.5				16		
S015-06-04 (S)	1/4"	3/8 – 19	28.5	14				19		
S015-06-06 (S)	3/8"	3/8 – 19	28.5	14				19		
S015-06-08 (S)	1/2"	3/8 – 19	28.5	14				19		
S015-08-08 (S)	1/2"	1/2 – 14	34	15				22		
S015-10-10 (S)	5/8"	5/8 – 14	34	15				26		
S015-12-12 (S)	3/4"	3/4 – 14	36	17				29		
S015-16-16 (S)	1"	1" – 11	43.5	19.5				35		
S015-20-20 (S)	1-1/4"	1-1/4 – 11	46.5	21.5				44		
S015-24-24 (S)	1-1/2"	1-1/2 – 11	47.5	21.5				48		
S015-32-32 (S)	2"	2" – 11	47.5	21.5				63.5		

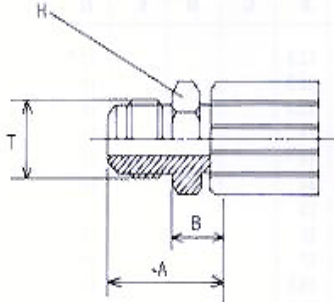
S015 SERIES – BSPT MALE – MULTISPIRAL TAIL										
PART NUMBER	HOSE BORE	THREAD	DIMENSIONS mm							
	I	T	A	B	C	D	E	H	L	
S015-12-12 (L)	3/4"	3/4 – 14	36	17				29		
S015-16-16 (L)	1"	1" – 11	43.5	19.5				35		
S015-20-20 (L)	1-1/4"	1-1/4 – 11	46.5	21.5				44		
S015-24-24 (L)	1-1/2"	1-1/2 – 11	47.5	21.5				48		
S015-32-32 (L)	2"	2" – 11	47.5	21.5				63.5		



[Contents Page](#)

S016 SERIES – NPT MALE – STANDARD TAIL									
PART NUMBER	HOSE BORE	THREAD	DIMENSIONS mm						
	I	T	A	B	C	D	E	H	L
S016-02-04 (S)	1/4"	1/8 – 27	24	12.5				12.7	
S016-04-04 (S)	1/4"	1/4 – 18	25	12.5				16	
S016-06-04 (S)	1/4"	3/8 – 18	28	13.5				19	
S016-04-06 (S)	3/8"	1/4 – 18	26	12.5				16	
S016-06-06 (S)	3/8"	3/8 – 18	28.5	13.5				19	
S016-08-06 (S)	3/8"	1/2 – 14	34	15				22	
S016-06-08 (S)	1/2"	3/8 – 18	28.5	13.5				19	
S016-08-08 (S)	1/2"	1/2 – 14	34	15				22	
S016-12-12 (S)	3/4"	3/4 – 14	36	17				29	
S016-16-12 (S)	3/4"	1" – 11-1/2	41	19				35	
S016-16-16 (S)	1"	1" – 11-1/2	43.5	19				35	
S016-20-20 (S)	1-1/4"	1-1/4 – 11-1/2	46.5	21.5				44	
S016-24-24 (S)	1-1/2"	1-1/2 – 11-1/2	49.5	22.5				48	
S016-32-32 (S)	2"	2" – 11-1/2	49.3	22.5				63.5	

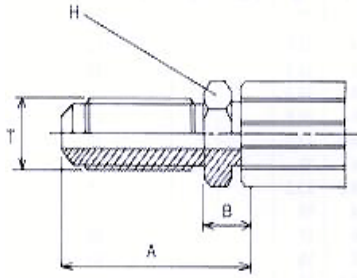
S016 SERIES – NPT MALE – MULTISPIRAL TAIL									
PART NUMBER	HOSE BORE	THREAD	DIMENSIONS mm						
	I	T	A	B	C	D	E	H	L
S016-12-12 (L)	3/4"	3/4 – 14	36	17				29	
S016-16-12 (L)	3/4"	1" – 11-1/2	41	19				35	
S016-16-16 (L)	1"	1" – 11-1/2	43.5	19				35	
S016-20-20 (L)	1-1/4"	1-1/4 – 11-1/2	46.5	21.5				44	
S016-24-24 (L)	1-1/2"	1-1/2 – 11-1/2	49.5	22.5				48	
S016-32-32 (L)	2"	2" – 11-1/2	49.3	22.5				63.5	



[Contents Page](#)

S018 SERIES – JIC 37° FLARE MALE – STANDARD TAIL									
PART NUMBER	HOSE BORE	THREAD	DIMENSIONS mm						
	I	T	A	B	C	D	E	H	L
S018-07-04 (S)	1/4"	7/16 – 20	27.5	13.5				12.7	
S018-08-04 (S)	1/4"	1/2 – 20	27.5	13.5				16	
S018-09-04 (S)	1/4"	9/16 – 18	28.5	13.5				16	
S018-09-06 (S)	3/8"	9/16 – 18	28.5	13.5				16	
S018-12-06 (S)	3/8"	3/4 – 16	31.5	14.5				22	
S018-14-06 (S)	3/8"	7/8 – 14	31.5	14.5				26	
S018-12-08 (S)	1/2"	3/4 – 16	32	15				22	
S018-14-08 (S)	1/2"	7/8 – 14	34	15				26	
S018-17-08 (S)	1/2"	1-1/16 – 12	41	18				29	
S018-14-10 (S)	5/8"	7/8 – 14	34	15				26	
S018-17-10 (S)	5/8"	1-1/16 – 12	41	18				29	
S018-17-12 (S)	3/4"	1-1/16 – 12	42	19				29	
S018-19-12 (S)	3/4"	1-3/16 – 12	43	19				32	
S018-21-12 (S)	3/4"	1-5/16 – 12	43	19				35	
S018-19-16 (S)	1"	1-3/16 – 12	43	19.5				32	
S018-21-16 (S)	1"	1-5/16 – 12	43.5	19.5				35	
S018-26-20 (S)	1-1/4"	1-5/8 – 12	48.5	27.5				44	
S018-30-24 (S)	1-1/2"	1-7/8 – 12	50	27.5				48	
S018-40-32 (S)	2"	2-1/2 – 12	56	24				65	

S018 SERIES – JIC 37° FLARE MALE – MULTISPIRAL TAIL									
PART NUMBER	HOSE BORE	THREAD	DIMENSIONS mm						
	I	T	A	B	C	D	E	H	L
S018-17-12 (L)	3/4"	1-1/16 – 12	42	19				29	
S018-19-12 (L)	3/4"	1-3/16 – 12	43	19				32	
S018-21-12 (L)	3/4"	1-5/16 – 12	43	19				35	
S018-19-16 (L)	1"	1-3/16 – 12	43	19.5				32	
S018-21-16 (L)	1"	1-5/16 – 12	43.5	19.5				35	
S018-26-20 (L)	1-1/4"	1-5/8 – 12	48.5	27.5				44	
S018-30-24 (L)	1-1/2"	1-7/8 – 12	50	27.5				48	
S018-40-32 (L)	2"	2-1/2 – 12	56	24				65	



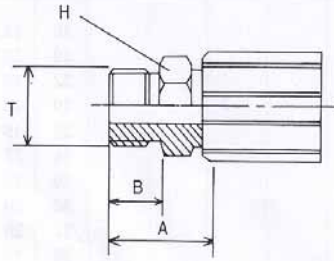
[Contents Page](#)

**S019 SERIES – JIC BULKHEAD MALE 37° SEAT ANGLE  
– STANDARD TAIL**

PART NUMBER	HOSE BORE	THREAD	DIMENSIONS mm							
	I	T	A	B	C	D	E	H	L	
S019-07-04 (S)	1/4"	7/16 – 20	48	14					12.7	
S019-08-04 (S)	1/4"	1/2 – 20	48	14					16	
S019-09-04 (S)	1/4"	9/16 – 18	48	14					16	
S019-10-04 (S)	1/4"	5/8 – 18	48	14					19	
S019-10-06 (S)	3/8"	5/8 – 18	47	15					19	
S019-12-08 (S)	1/2"	3/4 – 16	50	15					22	
S019-17-08 (S)	1/2"	1-1/16 – 12	61	18					29	
S019-17-10 (S)	5/8"	1-1/16 – 12	61	18					29	
S019-17-12 (S)	3/4"	1-1/16 – 12	61.5	19					29	
S019-21-12 (S)	3/4"	1-5/16 – 12	61	19					35	

**S019 SERIES – JIC BULKHEAD MALE 37° SEAT ANGLE  
– MULTISPIRAL TAIL**

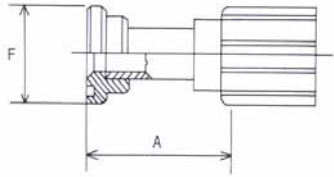
PART NUMBER	HOSE BORE	THREAD	DIMENSIONS mm							
	I	T	A	B	C	D	E	H	L	
S019-17-12 (L)	3/4"	1-1/16 – 12	61.5	19					29	
S019-21-12 (L)	3/4"	1-5/16 – 12	61	19					35	



[Contents Page](#)

S020 SERIES – UN ‘0’ – RING BOSS MALE – STANDARD TAIL									
PART NUMBER	HOSE BORE	THREAD	DIMENSIONS mm						
	I	T	A	B	C	D	E	H	L
S020-08-04 (S)	1/4"	1/2 – 20	22	12.5				16	
S020-08-06 (S)	3/8"	1/2 – 20	22	12.5				16	
S020-09-06 (S)	3/8"	9/16 – 18	23.5	13.5				19	
S020-12-06 (S)	3/8"	3/4 – 16	26	15				22	
S020-14-06 (S)	3/8"	7/8 – 14	28	15				26	
S020-12-08 (S)	1/2"	3/4 – 16	26	15				22	
S020-14-08 (S)	1/2"	7/8 – 14	28	15				26	
S020-17-08 (S)	1/2"	1-1/16 – 12	31	16				32	
S020-14-10 (S)	5/8"	7/8 – 14	29.5	15				26	
S020-17-10 (S)	5/8"	1-1/16 – 12	30	16				32	
S020-17-12 (S)	3/4"	1-1/16 – 12	32	16				32	
S020-19-12 (S)	3/4"	1-3/16 – 12	32	17				35	
S020-21-12 (S)	3/4"	1-5/16 – 12	32.5	17.5				38	
S020-21-16 (S)	1"	1-5/16 – 12	32.5	17.5				38	
S020-26-20 (S)	1-1/4"	1-5/8 – 12	36.5	17.5				48	
S020-30-24 (S)	1-1/2"	1-7/8 – 12	38	17.5				56	
S020-40-32 (S)	2"	2-1/2 – 12	39.5	17.5				70	

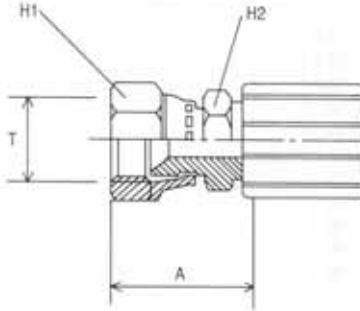
S020 SERIES – UN ‘0’ – RING BOSS MALE – MULTISPIRAL TAIL									
PART NUMBER	HOSE BORE	THREAD	DIMENSIONS mm						
	I	T	A	B	C	D	E	H	L
S020-17-12 (L)	3/4"	1-1/16 – 12	32	16				32	
S020-19-12 (L)	3/4"	1-3/16 – 12	32	17				35	
S020-21-12 (L)	3/4"	1-5/16 – 12	32.5	17.5				38	
S020-21-16 (L)	1"	1-5/16 – 12	32.5	17.5				38	
S020-26-20 (L)	1-1/4"	1-5/8 – 12	36.5	17.5				48	
S020-30-24 (L)	1-1/2"	1-7/8 – 12	38	17.5				56	
S020-40-32 (L)	2"	2-1/2 – 12	39.5	17.5				70	



[Contents Page](#)

S023 SERIES – SAE STRAIGHT FLANGE SOLID PIECE – STANDARD TAIL									
PART NUMBER	HOSE BORE	FLANGE	DIMENSIONS mm						
	I	F	A	B	C	D	E	H	SAE J1518C CODE
S023-08-08 (VS)	1/2"	30	53						61
S023-10-08 (VS)	1/2"	34	53						61
S023-10-10 (VS)	5/8"	34	53						61
S023-12-08 (VS)	1/2"	38	53						61
S023-12-10 (VS)	5/8"	38	53						61

S023 SERIES – SAE STRAIGHT FLANGE SOLID PIECE – MULTISPIRAL TAIL									
PART NUMBER	HOSE BORE	FLANGE	DIMENSIONS mm						
	I	F	A	B	C	D	E	H	SAE J1518C CODE
S023-12-12 (VL)	3/4"	38	53						61
S023-14-12 (VL)	3/4"	41.4	53						62
S023-16-12 (VL)	3/4"	44	52						61
S023-18-12 (VL)	3/4"	48	57						62
S023-16-16 (VL)	1"	44	55						61
S023-18-16 (VL)	1"	48	62						62
S023-20-16 (VL)	1"	50.8	57						61
S023-24-16 (VL)	1"	60	57						61
S023-20-20 (VL)	1-1/4"	50.8	64						61
S023-22-20 (VL)	1-1/4"	54.1	64						62
S023-24-20 (VL)	1-1/4"	60	66						61
S023-24-24 (VL)	1-1/2"	60	66						61
S023-26-24 (VL)	1-1/2"	63.5	66						62
S023-32-32 (VL)	2"	71.3	82						61
S023-12-12 (VL) L	3/4"	38	93						61
S023-16-16 (VL) L	1"	44	108						61
S023-20-16 (VL) L	1"	50.8	108						61



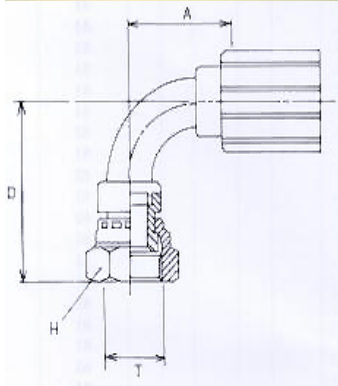
[Contents Page](#)

**S026 SERIES – BSP FEMALE INVERTED CONE 30° SEAT ANGLE  
– STANDARD TAIL**

PART NUMBER	HOSE BORE	THREAD	DIMENSIONS mm							
	I	T	A	B	C	D	E	H1	H2	
S026-02-04 (S)	1/4"	1/8 – 28	20					16	12.7	
S026-04-04 (S)	1/4"	1/4 – 19	20					19	12.7	
S026-06-04 (S)	1/4"	3/8 – 19	21					22	16	
S026-04-06 (S)	3/8"	1/4 – 19	21					19	16	
S026-06-06 (S)	3/8"	3/8 – 19	23					22	16	
S026-08-06 (S)	3/8"	1/2 – 14	25					26	22	
S026-08-08 (S)	1/2"	1/2 – 14	27					26	22	
S026-12-08 (S)	1/2"	3/4 – 14	32					32	26	
S026-12-12 (S)	3/4"	3/4 – 14	31					32	26	
S026-16-16 (S)	1"	1" – 11	40					38	32	
S026-20-20 (S)	1-1/4"	1-1/4 – 11	45					50.8	44	
S026-24-24 • (S)	1-1/2"	1-1/2 – 11	45					57	46	
S026-04-04L (S)	1/4"	1/4 – 19	27					19	12.7	
S026-06-06L (S)	3/8"	3/8 – 19	29					22	16	
S026-08-08L (S)	1/2"	1/2 – 14	30					26	22	

**S026 SERIES – BSP FEMALE INVERTED CONE 30° SEAT ANGLE  
– MULTISPIRAL TAIL**

PART NUMBER	HOSE BORE	THREAD	DIMENSIONS mm							
	I	T	A	B	C	D	E	H1	H2	
S026-12-12 (L)	3/4"	3/4 – 14	31					32	26	
S026-16-16 (L)	1"	1" – 11	40					38	32	
S026-20-20 • (L)	1-1/4"	1-1/4 – 11	45					50.8	44	
S026-24-24 • (L)	1-1/2"	1-1/2 – 11	45					57	46	
S026-12-12HD (L)	3/4"	3/4 – 14	34					35	26	
S026-16-16HD (L)	1"	1" – 11	38					44	32	



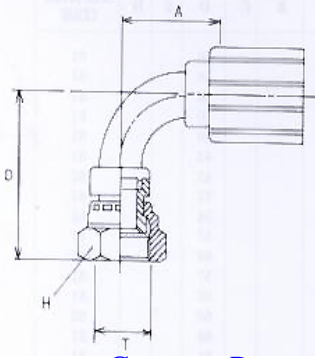
[Contents Page](#)

**S051 SERIES – BSP 90° SWEEP ELBOW (SOLID PIECE)  
– STANDARD TAIL**

PART NUMBER	HOSE BORE	THREAD	DIMENSIONS mm							
	I	T	A	B	C	D	E	H	L	
S051-04-04 (VS)	1/4"	1/4 – 19	27.5			38.5		19		
S051-06-06 (VS)	3/8"	3/8 – 19	32			44		22		
S051-08-06 (VS)	3/8"	1/2 – 14	32			44		26		
S051-08-08 (VS)	1/2"	1/2 – 14	39			53		26		
S051-10-10 (VS)	5/8"	5/8 – 14	44			61		29		
S051-12-12 (VS)	3/4"	3/4 – 14	50			64		32		
S051-16-16 (VS)	1"	1" – 11	63			80		38		
S051-20-20 (VS)	1-1/4"	1-1/4 – 11	69			92		50.8		
S051-24-24 • (VS)	1-1/2"	1-1/2 – 11	82			98		57		
S051-32-32 • (VS)	2"	2" – 11	108			102		70		

**S051 SERIES – BSP 90° SWEEP ELBOW (SOLID PIECE)  
– MULTISPIRAL TAIL**

PART NUMBER	HOSE BORE	THREAD	DIMENSIONS mm							
	I	T	A	B	C	D	E	H	L	
S051-12-12 (VL)	3/4"	3/4 – 14	50			64		32		
S051-16-16 (VL)	1"	1" – 11	63			80		38		
S051-20-20 (VL)	1-1/4"	1-1/4 – 11	69			92		50.8		
S051-24-24 • (VL)	1-1/2"	1-1/2 – 11	82			98		57		
S051-32-32 • (VL)	2"	2" – 11	108			102		70		



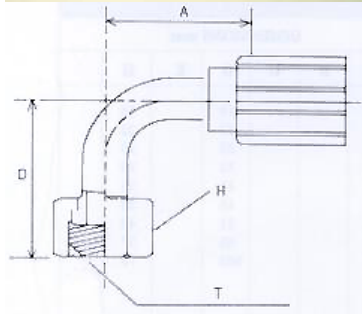
[Contents Page](#)

**S055 SERIES – JIC 90° SWEPT ELBOW 37° SEAT ANGLE (SOLID PIECE)  
– STANDARD TAIL**

PART NUMBER	HOSE BORE	THREAD	DIMENSIONS mm						
	I	T	A	B	C	D	E	H	L
S055-07-04 (VS)	1/4"	7/16 – 20	27.5			41		16	
S055-08-04 (VS)	1/4"	1/2 – 20	27.5			42		19	
S055-09-04 (VS)	1/4"	9/16 – 18	27.5			42		19	
S055-09-06 (VS)	3/8"	9/16 – 18	31.5			44.5		19	
S055-12-06 (VS)	3/8"	3/4 – 16	31.5			47		22	
S055-12-08 (VS)	1/2"	3/4 – 16	39			54		22	
S055-14-08 (VS)	1/2"	7/8 – 14	39			54		26	
S055-17-08 (VS)	1/2"	1-1/16 – 12	39			52		32	
S055-14-10 (VS)	5/8"	7/8 – 14	44.5			58.5		26	
S055-17-10 (VS)	5/8"	1-1/16 – 12	44.5			64.5		32	
S055-17-12 (VS)	3/4"	1-1/16 – 12	51.5			65		32	
S055-19-12 (VS)	3/4"	1-3/16 – 12	51.5			67.5		35	
S055-21-12 (VS)	3/4"	1-5/16 – 12	51.5			74.5		38	
S055-21-16 (VS)	1"	1-5/16 – 12	63			83		38	
S055-26-20 (VS)	1-1/4"	1-5/8 – 12	65			89.5		50.8	
S055-30-24 (VS)	1-1/2"	1-7/8 – 12	81.5			102		57	
S055-40-32 (VS)	2"	2-1/2 – 12	102			123		70	

**S055 SERIES – JIC 90° SWEPT ELBOW 37° SEAT ANGLE (SOLID PIECE)  
– MULTISPIRAL TAIL**

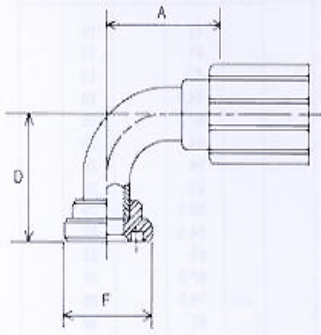
PART NUMBER	HOSE BORE	THREAD	DIMENSIONS mm						
	I	T	A	B	C	D	E	H	L
S055-17-12 (VL)	3/4"	1-1/16 – 12	51.5			65		32	
S055-19-12 (VL)	3/4"	1-3/16 – 12	51.5			67.5		35	
S055-21-12 (VL)	3/4"	1-5/16 – 12	51.5			74.5		38	
S055-21-16 (VL)	1"	1-5/16 – 12	63			83		38	
S055-26-20 (VL)	1-1/4"	1-5/8 – 12	65			89.5		50.8	
S055-30-24 (VL)	1-1/2"	1-7/8 – 12	81.5			102		57	
S055-40-32 (VL)	2"	2-1/2 – 12	102			123		70	



[Contents Page](#)

<b>S056 SERIES – ORS FEMALE SWIVEL 90° ELBOW (SOLID PIECE) – STANDARD TAIL</b>									
PART NUMBER	HOSE BORE	THREAD	DIMENSIONS mm						
	I	T	A	B	C	D	E	H	L
S056-09-04 (VS)	1/4"	9/16 – 18	33			33		19	
S056-11-06 (VS)	3/8"	11/16 – 16	34			41.5		22	
S056-13-08 (VS)	1/2"	13/16 – 16	37.5			50.5		26	
S056-16-10 (VS)	5/8"	1 – 14	47			50.5		32	
S056-19-12 (VS)	3/4"	13/16 – 12	51			66		35	
S056-23-16 (VS)	1"	1-7/16 – 12	60			76		44	
S056-27-20 (VS)	1-1/4"	1-11/16 – 12	74			78		48	
S056-32-24 (VS)	1-1/2"	2 – 12	83			87		57	

<b>S056 SERIES – ORS FEMALE SWIVEL 90° ELBOW (SOLID PIECE) – MULTISPIRAL TAIL</b>									
PART NUMBER	HOSE BORE	THREAD	DIMENSIONS mm						
	I	T	A	B	C	D	E	H	L
S056-19-12 (VL)	3/4"	13/16 – 12	51			66		35	
S056-23-16 (VL)	1"	1-7/16 – 12	60			76		44	
S056-27-20 (VL)	1-1/4"	1-11/16 – 12	74			78		48	
S056-32-24 (VL)	1-1/2"	2 – 12	83			87		57	



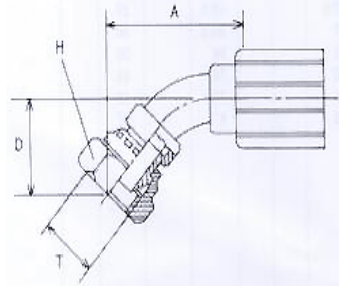
[Contents Page](#)

**S059 SERIES – SAE 90° SWEPT ELBOW FLANGE (SOLID PIECE)  
– STANDARD TAIL**

PART NUMBER	HOSE BORE	FLANGE	DIMENSIONS mm						
	I	F	A	B	C	D	E	H	SAE J518C CODE
S059-08-08 (VS)	1/2"	30	39			36			61
S059-10-08 (VS)	1/2"	34	39			36			61
S059-12-08 (VS)	1/2"	38	39			36			61
S059-10-10 (VS)	5/8"	34	43			40			61
S059-12-10 (VS)	5/8"	38	43			40			61

**S059 SERIES – SAE 90° SWEPT ELBOW FLANGE (SOLID PIECE)  
– MULTISPIRAL TAIL**

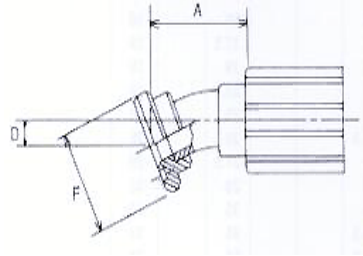
PART NUMBER	HOSE BORE	FLANGE	DIMENSIONS mm						
	I	F	A	B	C	D	E	H	SAE J518C CODE
S059-12-12 (VL)	3/4"	38	51			43			61
S059-14-12 (VL)	3/4"	41.4	51			43			62
S059-16-12 (VL)	3/4"	44	46			52			61
S059-18-12 (VL)	3/4"	48	43			54			62
S059-16-16 (VL)	1"	44	61			57			61
S059-18-16 (VL)	1"	48	61			64			62
S059-20-16 (VL)	1"	50.8	65			57			61
S059-20-20 (VL)	1-1/4"	50.8	65			60			61
S059-22-20 (VL)	1-1/4"	54.1	65			60			62
S059-24-20 (VL)	1-1/4"	60	65			68			61
S059-24-24 (VL)	1-1/2"	60	82			81			61
S059-32-32 (VL)	2"	71.3	110			91			61
S059-12-12 (VL) L	3/4"	38	52			86			61
S059-16-12 (VL) L	3/4"	44	52			86			61
S059-16-16 (VL) L	1"	44	64			98			61
S059-20-16 (VL) L	1"	50.8	64			100			61



[Contents Page](#)

<b>S060 SERIES – BSP 45° SWEPT ELBOW (SOLID PIECE) – STANDARD TAIL</b>									
PART NUMBER	HOSE BORE	THREAD	DIMENSIONS mm						
	I	T	A	B	C	D	E	H	L
S060-04-04 (VS)	1/4"	1/4 – 19	45			18		19	
S060-06-06 (VS)	3/8"	3/8 – 19	46			23		22	
S060-08-08 (VS)	1/2"	1/2 – 14	60			29		26	
S060-10-10 (VS)	5/8"	5/8 – 14	63			32		29	
S060-12-12 (VS)	3/4"	3/4 – 14	67			41		32	
S060-16-16 (VS)	1"	1" – 11	79			48		38	
S060-20-20 (VS)	1-1/4"	1-1/4 – 11	92			51		50.8	
S060-24-24 • (VS)	1-1/2"	1-1/2 – 11	98			55		57	
S060-32-32 • (VS)	2"	2" – 11	63			103		70	

<b>S060 SERIES – BSP 45° SWEPT ELBOW (SOLID PIECE) – MULTISPIRAL TAIL</b>									
PART NUMBER	HOSE BORE	THREAD	DIMENSIONS mm						
	I	T	A	B	C	D	E	H	L
S060-12-12 (VL)	3/4"	3/4 – 14	67			41		32	
S060-16-16 (VL)	1"	1" – 11	79			48		38	
S060-20-20 (VL)	1-1/4"	1-1/4 – 11	92			51		50.8	
S060-24-24 • (VL)	1-1/2"	1-1/2 – 11	98			55		57	
S060-32-32 • (VL)	2"	2" – 11	63			103		70	



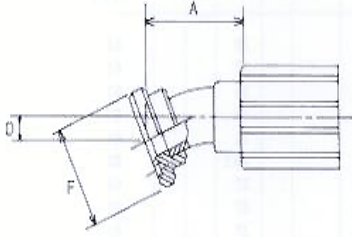
[Contents Page](#)

**S062 SERIES – SAE 22-1/2° SWEEP ELBOW FLANGE (SOLID PIECE)  
– STANDARD TAIL**

PART NUMBER	HOSE BORE	FLANGE	DIMENSIONS mm							SAE 518C CODE
	I	F	A	B	C	D	E	H		
S062-08-08 (VS)	1/2"	30	41			9			61	
S062-12-08 (VS)	1/2"	38	43			9			61	

**S062 SERIES – SAE 22-1/2° SWEEP ELBOW FLANGE (SOLID PIECE)  
– MULTISPIRAL TAIL**

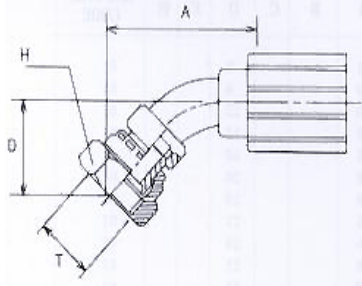
PART NUMBER	HOSE BORE	FLANGE	DIMENSIONS mm							SAE 518C CODE
	I	F	A	B	C	D	E	H		
S062-12-12 (VL)	3/4"	38	50			12			61	
S062-16-12 (VL)	3/4"	44	48			12			61	
S062-16-16 (VL)	1"	44	55			18			61	
S062-18-16 (VL)	1"	48	66			20			62	
S062-20-16 (VL)	1"	50.8	64			19			61	
S062-20-20 (VL)	1-1/4"	50.8	65			21			61	
S062-24-20 (VL)	1-1/4"	60	65			24			61	
S062-24-24 (VL)	1-1/2"	60	78			21			61	
S062-26-24 (VL)	1-1/2"	64	80			21			62	
S062-32-32 (VL)	2"	71.3	81			23			61	



[Contents Page](#)

S063 SERIES – SAE 30° SWEPT ELBOW FLANGE (SOLID PIECE) – STANDARD TAIL										
PART NUMBER	HOSE BORE	FLANGE	DIMENSIONS mm							
	I	F	A	B	C	D	E	H	SAE 518C CODE	
S063-08-08 (VS)	1/2"	30	41			12			61	
S063-12-08 (VS)	1/2"	38	43			12			61	

S063 SERIES – SAE 30° SWEPT ELBOW FLANGE (SOLID PIECE) – MULTISPIRAL TAIL										
PART NUMBER	HOSE BORE	FLANGE	DIMENSIONS mm							
	I	F	A	B	C	D	E	H	SAE 518C CODE	
S063-12-12 (VL)	3/4"	38	52			15			61	
S063-16-12 (VL)	3/4"	44	52			15			61	
S063-16-16 (VL)	1"	44	60			21			61	
S063-18-16 (VL)	1"	48	68			23			62	
S063-20-16 (VL)	1"	50.8	63			22			61	
S063-20-20 (VL)	1-1/4"	50.8	71			24			61	
S063-24-20 (VL)	1-1/4"	60	71			28			61	
S063-24-24 (VL)	1-1/2"	60	74			24			61	
S063-26-24 (VL)	1-1/2"	64	76			24			62	
S063-32-32 (VL)	2"	71.3	80			27			61	



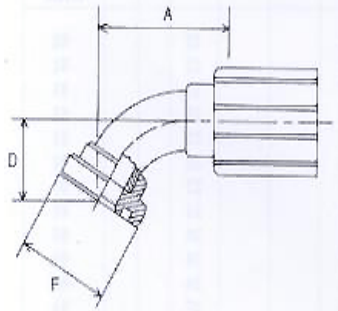
[Contents Page](#)

**S064 SERIES – JIC 45° SWEPT ELBOW 37° SEAT ANGLE  
– STANDARD TAIL**

PART NUMBER	HOSE BORE	THREAD	DIMENSIONS mm						
	I	T	A	B	C	D	E	H	L
S064-07-04 (VS)	1/4"	7/16 – 20	43			16		16	
S064-08-04 (VS)	1/4"	1/2 – 20	43			17.5		19	
S064-09-04 (VS)	1/4"	9/16 – 18	43			19		19	
S064-09-06 (VS)	3/8"	9/16 – 18	48			23.5		19	
S064-12-06 (VS)	3/8"	3/4 – 16	48			25		22	
S064-12-08 (VS)	1/2"	3/4 – 16	49.5			26		22	
S064-14-08 (VS)	1/2"	7/8 – 14	51			27.5		26	
S064-17-08 (VS)	1/2"	1-1/16 – 12	53			29		32	
S064-17-10 (VS)	5/8"	1-1/16 – 12	58			35		32	
S064-17-12 (VS)	3/4"	1-1/16 – 12	66.5			45		32	
S064-21-16 (VS)	1"	1-5/16 – 12	85.5			55		38	
S064-26-20 (VS)	1-1/4"	1-5/8 – 12	94.5			51		50.8	
S064-30-24 • (VS)	1-1/2"	1-7/8 – 12	98			51		57	
S064-09-06 (VS) L	3/8"	9/16 – 18	71			42		19	
S064-17-08 (VS) L	1/2"	1-1/16 – 12	81.5			54		32	
S064-17-10 (VS) L	5/8"	1-1/16 – 12	81.5			54		32	

**S064 SERIES – JIC 45° SWEPT ELBOW 37° SEAT ANGLE  
– MULTISPIRAL TAIL**

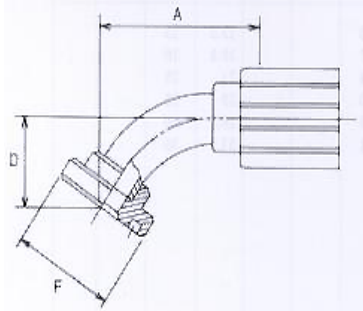
PART NUMBER	HOSE BORE	THREAD	DIMENSIONS mm						
	I	T	A	B	C	D	E	H	L
S064-17-12 (VL)	3/4"	1-1/16 – 12	66.5			45		32	
S064-21-16 (VL)	1"	1-5/16 – 12	85.5			55		38	
S064-26-20 (VL)	1-1/4"	1-5/8 – 12	94.5			51		50.8	
S064-30-24 • (VL)	1-1/2"	1-7/8 – 12	98			51		57	



[Contents Page](#)

S066 SERIES – SAE 60° SWEEP ELBOW FLANGE (SOLID PIECE) – STANDARD TAIL									
PART NUMBER	HOSE BORE	FLANGE	DIMENSIONS mm						
	I	F	A	B	C	D	E	H	SAE 518C CODE
S066-08-08 (VS)	1/2"	30	43			26			61
S066-12-08 (VS)	1/2"	38	44			27			61

S066 SERIES – SAE 60° SWEEP ELBOW FLANGE (SOLID PIECE) – MULTIPIRAL TAIL									
PART NUMBER	HOSE BORE	FLANGE	DIMENSIONS mm						
	I	F	A	B	C	D	E	H	SAE 518C CODE
S066-12-12 (VL)	3/4"	38	57			35			61
S066-16-12 (VL)	3/4"	44	54			33			61
S066-16-16 (VL)	1"	44	67			36			61
S066-18-16 (VL)	1"	48	70			40.5			62
S066-20-16 (VL)	1"	50.8	67			37			61
S066-20-20 (VL)	1-1/4"	50.8	74			37			61
S066-24-20 (VL)	1-1/4"	60	76			37			61
S066-24-24 (VL)	1-1/2"	60	88			45			61
S066-32-32 (VL)	2"	71.3	105			57			61



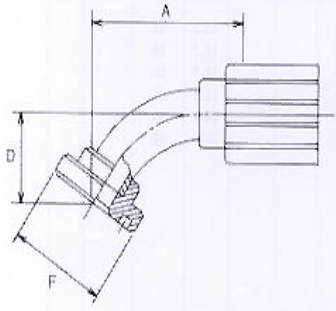
[Contents Page](#)

**S067 SERIES – SAE 67-1/2° SWEEP ELBOW FLANGE (SOLID PIECE)  
– STANDARD TAIL**

PART NUMBER	HOSE BORE	FLANGE	DIMENSIONS mm						
	I	F	A	B	C	D	E	H	SAE 518C CODE
S067-08-08 (VS)	1/2"	30	43			21			61
S067-12-08 (VS)	1/2"	38	45			22			61

**S067 SERIES – SAE 67-1/2° SWEEP ELBOW FLANGE (SOLID PIECE)  
– MULTISPIRAL TAIL**

PART NUMBER	HOSE BORE	FLANGE	DIMENSIONS mm						
	I	F	A	B	C	D	E	H	SAE 518C CODE
S067-12-12 (VL)	3/4"	38	53			29			61
S067-16-12 (VL)	3/4"	44	53			29			61
S067-16-16 (VL)	1"	44	64			49			61
S067-18-16 (VL)	1"	48	67			53.5			62
S067-20-16 (VL)	1"	50.8	64			66			61
S067-20-20 (VL)	1-1/4"	50.8	68			44			61
S067-24-20 (VL)	1-1/4"	60	68			44			61
S067-24-24 (VL)	1-1/2"	60	70			46			61
S067-32-32 (VL)	2"	71.3	107			65			61



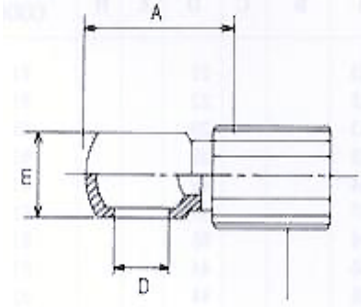
[Contents Page](#)

**S068 SERIES – SAE 45° SWEEP ELBOW FLANGE (SOLID PIECE)  
– STANDARD TAIL**

PART NUMBER	HOSE BORE	FLANGE F	DIMENSIONS mm							SAE 518C CODE
	I		A	B	C	D	E	H		
S068-08-08 (VS)	1/2"	30	42			13			61	
S068-12-08 (VS)	1/2"	38	43			15			61	
S068-10-10 (VS)	5/8"	34	54			18			61	

**S068 SERIES – SAE 45° SWEEP ELBOW FLANGE (SOLID PIECE)  
– MULTISPIRAL TAIL**

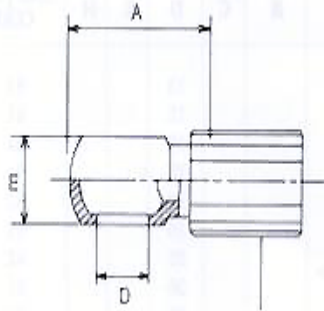
PART NUMBER	HOSE BORE	FLANGE F	DIMENSIONS mm							SAE 518C CODE
	I		A	B	C	D	E	H		
S068-12-12 (VL)	3/4"	38	55			19			61	
S068-14-12 (VL)	3/4"	41.4	55			19			62	
S068-16-12 (VL)	3/4"	44	55			19			61	
S068-18-12 (VL)	3/4"	48	58			25			62	
S068-16-16 (VL)	1"	44	63			26			61	
S068-18-16 (VL)	1"	48	73			32			62	
S068-20-16 (VL)	1"	50.8	68			23			61	
S068-20-20 (VL)	1-1/4"	50.8	75			31			61	
S068-22-20 (VL)	1-1/4"	54.1	75			31			62	
S068-24-20 (VL)	1-1/4"	60	88			25			61	
S068-24-24 (VL)	1-1/2"	60	87			34			61	
S068-26-24 (VL)	1-1/2"	63.4	87			34			62	
S068-32-32 (VL)	2"	71.3	102			44			61	
S068-12-12 (VL) L	3/4"	38	110			71			61	
S068-16-16 (VL) L	1"	44	121			87			61	



[Contents Page](#)

S094 SERIES – BANJO FOR BSP BOLTS – STANDARD TAIL										
PART NUMBER	HOSE BORE	BOLT THREAD	DIMENSIONS mm							
	I	T	A	B	C	D	E	H	L	
S094-13-04 (S)	1/4"	1/4 – 19	33			13.3	13			
S094-17-06 (S)	3/8"	3/8 – 19	37			16.8	16			
S094-21-08 (S)	1/2"	1/2 – 14	44			21	25			
S094-23-10 (S)	5/8"	5/8 – 14	50			23	25			
S094-27-12 (S)	3/4"	3/4 – 14	59			26.5	30			
S094-33-16 (S)	1"	1" – 11	71			33.5	36			

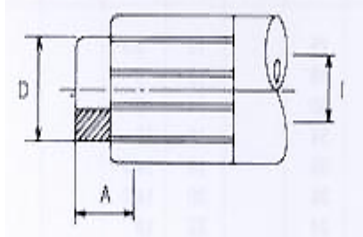
S094 SERIES – BANJO FOR BSP BOLT – MULTISPIRAL TAIL										
PART NUMBER	HOSE BORE	BOLT THREAD	DIMENSIONS mm							
	I	T	A	B	C	D	E	H	L	
S094-27-12 (L)	3/4"	3/4 – 14	59			26.5	30			
S094-33-16 (L)	1"	1" – 11	71			33.5	36			



[Contents Page](#)

S095 SERIES – BANJO FOR METRIC BOLTS – STANDARD TAIL									
PART NUMBER	HOSE BORE	BOLT THREAD	DIMENSIONS mm						
	I	T	A	B	C	D	E	H	L
S095-10-04 (S)	1/4"	10 x 1.5	31			10.3	10		
S095-12-04 (S)	1/4"	12 x 1.5	33			12.3	12		
S095-14-04 (S)	1/4"	14 x 1.5	35			14.3	14		
S095-14-06 (S)	3/8"	14 x 1.5	35			14.3	14		
S095-16-06 (S)	3/8"	16 x 1.5	36			16.3	16		
S095-18-08 (S)	1/2"	18 x 1.5	38			18.3	20		
S095-22-10 (S)	5/8"	22 x 1.5	50			22.3	25		
S095-26-12 (S)	3/4"	26 x 1.5	59			26.3	30		
S095-30-16 (S)	1"	30 x 1.5	71			30.3	36		

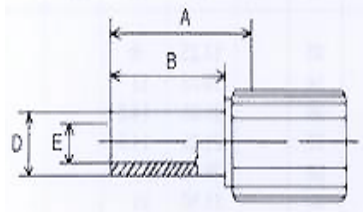
S095 SERIES – BANJO FOR METRIC BOLTS – MULISPIRAL TAIL									
PART NUMBER	HOSE BORE	BOLT THREAD	DIMENSIONS mm						
	I	T	A	B	C	D	E	H	L
S095-26-12 (L)	3/4"	26 x 1.5	59			26.3	30		
S095-30-16 (L)	1"	30 x 1.5	71			30.3	36		



[Contents Page](#)

S096 SERIES – LIFESAVER – STANDARD TAIL									
PART NUMBER	HOSE BORE	THREAD	DIMENSIONS mm						
	I	T	A	B	C	D	E	H	L
S096-00-04 (S)	1/4"		13			12.7			
S096-00-06 (S)	3/8"		14.5			16			
S096-00-08 (S)	1/2"		15			19			
S096-00-10 (S)	5/8"		16.5			23			
S096-00-12 (S)	3/4"		18			26			
S096-00-16 (S)	1"		20			32			
S096-00-20 (S)	1-1/4"		24			44			
S096-00-24 (S)	1-1/2"		24			46			
S096-00-32 (S)	2"		25			61			

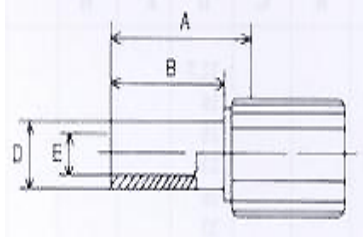
S096 SERIES – LIFESAVER – MULTISPIRAL TAIL									
PART NUMBER	HOSE BORE	THREAD	DIMENSIONS mm						
	I	T	A	B	C	D	E	H	L
S096-00-12 (L)	3/4"		18			26			
S096-00-16 (L)	1"		20			32			
S096-00-20 (L)	1-1/4"		24			44			
S096-00-24 (L)	1-1/2"		24			46			
S096-00-32 (L)	2"		25			61			



[Contents Page](#)

S097 SERIES – STANDPIPE – LIGHT DUTY – STANDARD TAIL									
PART NUMBER	HOSE BORE	THREAD	DIMENSIONS mm						
	I	T	A	B	C	D	E	H	L
S097-08-04 (S)	1/4"		29	25		8	5.5		
S097-10-06 (S)	3/8"		35	30		10	7		
S097-12-06 (S)	3/8"		35	30		12	9		
S097-14-08 (S)	1/2"		35	30		14	9.5		
S097-15-08 (S)	1/2"		35	30		15	12		
S097-18-10 (S)	5/8"		41	36		18	14.5		

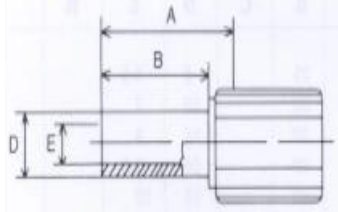
S097 SERIES – STANDPIPE – LIGHT DUTY – MULTISPIRAL TAIL									
PART NUMBER	HOSE BORE	THREAD	DIMENSIONS mm						
	I	T	A	B	C	D	E	H	L
S097-20-12 (L)	3/4"		42	36		20	15		
S097-22-12 (L)	3/4"		40	34		22	18		
S097-25-16 (L)	1"		45	38		25	20		
S097-28-16 (L)	1"		47	40		28	23		



[Contents Page](#)

S098 SERIES – STANDPIPE – HEAVY DUTY – STANDARD TAIL									
PART NUMBER	HOSE BORE	THREAD	DIMENSIONS mm						
	I	T	A	B	C	D	E	H	
S098-10-04 (S)	1/4"		29	25		10	5.5		
S098-12-04 (S)	1/4"		34	30		12	9		
S098-14-06 (S)	3/8"		35	30		14	9		
S098-16-08 (S)	1/2"		39	34		16	12		
S098-18-08 (S)	1/2"		41	36		18	14.5		
S098-20-10 (S)	5/8"		41	36		20	14.5		
S098-22-10 (S)	5/8"		39	34		22	18		
S098-25-12 (S)	3/4"		44	38		25	18		
S098-30-16 (S)	1"		47	40		30	23		

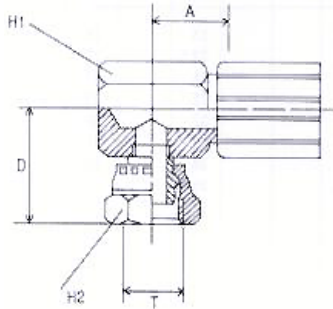
S098 SERIES – STANDPIPE – HEAVY DUTY – MULTISPIRAL TAIL									
PART NUMBER	HOSE BORE	THREAD	DIMENSIONS mm						
	I	T	A	B	C	D	E	H	
S098-25-12 (L)	3/4"		44	38		25	18		
S098-30-16 (L)	1"		47	40		30	23		



[Contents Page](#)

S099 SERIES – STANDPIPE – FRENCH TYPE – STANDARD TYPE									
PART NUMBER	HOSE BORE	THREAD	DIMENSIONS mm						
	I	T	A	B	C	D	E	H	L
S099-13-06 (S)	3/8"		35	30		13.25	9		
S099-17-08 (S)	1/2"		39	34		16.75	12		
S099-21-08 (S)	1/2"		41	36		21.25	14.5		
S099-21-10 (S)	5/8"		41	36		21.25	14.5		
S099-27-12 (S)	3/4"		44	38		26.75	20		
S099-33-16 (S)	1"		47	40		33.5	25		

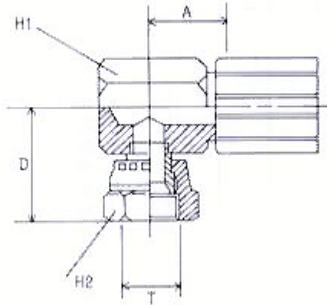
S099 SERIES – STANDPIPE – FRENCH TYPE – MULTISPIRAL TAIL									
PART NUMBER	HOSE BORE	THREAD	DIMENSIONS mm						
	I	T	A	B	C	D	E	H	L
S099-27-12 (L)	3/4"		44	38		26.75	20		
S099-33-16 (L)	1"		47	40		33.5	25		



[Contents Page](#)

S551 SERIES – BSP COMPACT ELBOW – STANDARD TAIL										
PART NUMBER	HOSE BORE	THREAD	DIMENSIONS mm							
	I	T	A	B	C	D	E	H1	H2	L
S551-04-04 (S)	1/4"	1/4 – 19	24			24		16	19	
S551-06-06 (S)	3/8"	3/8 – 19	27			32		19	22	
S551-08-08 (S)	1/2"	1/2 – 14	31			35		29	26	
S551-10-10 (S)	5/8"	5/8 – 14	34			40		32	29	
S551-12-12 (S)	3/4"	3/4 – 14	37			46		38	32	
S551-16-16 (S)	1"	1" – 11	42			54		44	38	
S551-20-20 (S)	1-1/4"	1-1/4 – 11	49			61		57	50.8	
S551-24-24 • (S)	1-1/2"	1-1/2 - 11	52			68		57	57	

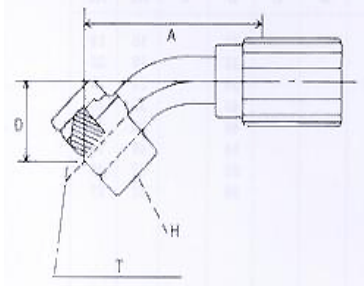
S551 SERIES – BSP COMPACT ELBOW – MULTISPIRAL TAIL										
PART NUMBER	HOSE BORE	THREAD	DIMENSIONS mm							
	I	T	A	B	C	D	E	H1	H2	L
S551-12-12 (L)	3/4"	3/4 – 14	37			46		38	32	
S551-16-16 (L)	1"	1" – 11	42			54		44	38	
S551-20-20 (L)	1-1/4"	1-1/4 – 11	49			61		57	50.8	
S551-24-24 • (L)	1-1/2"	1-1/2 - 11	52			68		57	57	



[Contents Page](#)

<b>S555 SERIES – JIC COMPACT ELBOW – STANDARD TAIL</b>										
<b>PART NUMBER</b>	<b>HOSE BORE</b>	<b>THREAD</b>	<b>DIMENSIONS mm</b>							
	<b>I</b>	<b>T</b>	<b>A</b>	<b>B</b>	<b>C</b>	<b>D</b>	<b>E</b>	<b>H1</b>	<b>H2</b>	
S555-07-04 (S)	1/4"	7/16 – 20	24			27		19	16	
S555-08-04 (S)	1/4"	1/2 – 20	24			27		22	19	
S555-09-04 (S)	1/4"	9/16 – 18	24			30		22	19	
S555-09-06 (S)	3/8"	9/16 – 18	26			30		22	19	
S555-12-08 (S)	1/2"	3/4 – 16	29			44		29	22	
S555-14-10 (S)	5/8"	7/8 – 14	32			44		32	26	
S555-17-12 (S)	3/4"	1-1/16 – 12	35			47		38	32	
S555-21-16 (S)	1"	1-5/16 – 12	37			54		44	38	
S555-26-20 (S)	1-1/4"	1-5/8 – 12	44			61		48	50.8	
S555-30-24 • (S)	1-1/2"	1-7/8 – 12	44			61		57	57	

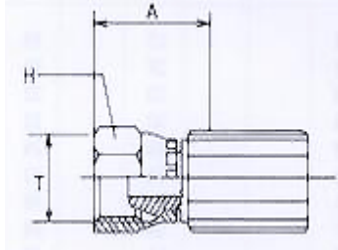
<b>S555 SERIES – JIC COMPACT ELBOW – MULTISPIRAL TAIL</b>										
<b>PART NUMBER</b>	<b>HOSE BORE</b>	<b>THREAD</b>	<b>DIMENSIONS mm</b>							
	<b>I</b>	<b>T</b>	<b>A</b>	<b>B</b>	<b>C</b>	<b>D</b>	<b>E</b>	<b>H1</b>	<b>H2</b>	
S555-17-12 (L)	3/4"	1-1/16 – 12	35			47		38	32	
S555-21-16 (L)	1"	1-5/16 – 12	37			54		44	38	
S555-26-20 (L)	1-1/4"	1-5/8 – 12	44			61		48	50.8	
S555-30-24 • (L)	1-1/2"	1-7/8 – 12	44			61		57	57	



[Contents Page](#)

<b>S666 SERIES – ‘ORS’ FEMALE SWIVEL 45° ELBOW – STANDARD TAIL</b>									
<b>PART NUMBER</b>	<b>HOSE BORE</b>	<b>THREAD</b>	<b>DIMENSIONS mm</b>						
	<b>I</b>	<b>T</b>	<b>A</b>	<b>B</b>	<b>C</b>	<b>D</b>	<b>E</b>	<b>H</b>	<b>L</b>
S666-09-04 (VS)	1/4"	9/16 – 18	46			13		19	
S666-11-06 (VS)	3/8"	11/16 – 16	49			22.5		22	
S666-13-08 (VS)	1/2"	13/16 – 16	58			15		26	
S666-16-10 (VS)	5/8"	1 – 14	52			22		32	
S666-19-12 (VS)	3/4"	1-3/16 – 12	60			32		35	
S666-23-16 (VS)	1"	1-7/16 – 12	72			29		41	
S666-27-20 (VS)	1-1/4"	1-11/16 – 12	73			38		48	
S666-32-24 (VS)	1-1/2"	2 – 12	90			39		57	

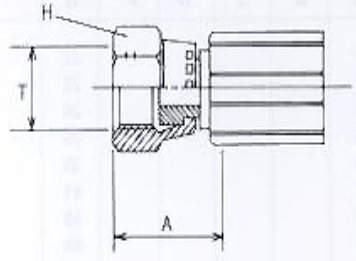
<b>S666 SERIES – ‘ORS’ FEMALE SWIVEL 45° ELBOW – MULTISPIRAL TAIL</b>									
<b>PART NUMBER</b>	<b>HOSE BORE</b>	<b>THREAD</b>	<b>DIMENSIONS mm</b>						
	<b>I</b>	<b>T</b>	<b>A</b>	<b>B</b>	<b>C</b>	<b>D</b>	<b>E</b>	<b>H</b>	<b>L</b>
S666-19-12 (VL)	3/4"	1-3/16 – 12	60			32		35	
S666-23-16 (VL)	1"	1-7/16 – 12	72			29		41	
S666-27-20 (VL)	1-1/4"	1-11/16 – 12	73			38		48	
S666-32-24 (VL)	1-1/2"	2 – 12	90			39		57	



[Contents Page](#)

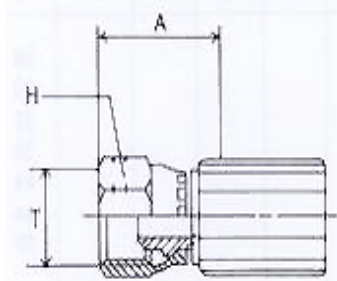
S801 SERIES – METRIC FEMALE 60° SEAT ANGLE – STANDARD TAIL									
PART NUMBER	HOSE BORE	THREAD	DIMENSIONS mm						
	I	T	A	B	C	D	E	H	L
S801-12-04 (S)	1/4"	12 x 1.5	20					16	
S801-14-04 (S)	1/4"	14 x 1.5	20					19	
S801-16-04 (S)	1/4"	16 x 1.5	20					22	
S801-14-06 (S)	3/8"	14 x 1.5	20					19	
S801-16-06 (S)	3/8"	16 x 1.5	23					22	
S801-18-06 (S)	3/8"	18 x 1.5	23					22	
S801-22-06 (S)	3/8"	22 x 1.5	24					26	
S801-22-08 (S)	1/2"	22 x 1.5	24					26	
S801-26-10 (S)	5/8"	26 x 1.5	25					32	
S801-30-12 (S)	3/4"	30 x 1.5	27					35	
S801-38-16 (S)	1"	38 x 1.5	31					44	
S801-45-20 • (S)	1-1/4"	45 x 1.5	36					57	
S801-52-24 • (S)	1-1/2"	52 x 1.5	42					60	

S801 SERIES – METRIC FEMALE 60° SEAT ANGLE – MULTISPIRAL TAIL									
PART NUMBER	HOSE BORE	THREAD	DIMENSIONS mm						
	I	T	A	B	C	D	E	H	L
S801-30-12 (L)	3/4"	30 x 1.5	27					35	
S801-38-16 (L)	1"	38 x 1.5	31					44	
S801-45-20 • (L)	1-1/4"	45 x 1.5	36					57	
S801-52-24 • (L)	1-1/2"	52 x 1.5	42					60	



[Contents Page](#)

S802 SERIES – METRIC FEMALE – FLAT SEAT – STANDARD TAIL										
PART NUMBER	HOSE BORE	THREAD	DIMENSIONS mm							
	I	T	A	B	C	D	E	H	L	
S802-18-06 (S)	3/8"	18 x 1.5	26					22		
S802-20-06 (S)	3/8"	20 x 1.5	26					26		
S802-20-08 (S)	1/2"	20 x 1.5	33					26		
S802-22-08 (S)	1/2"	22 x 1.5	33					26		



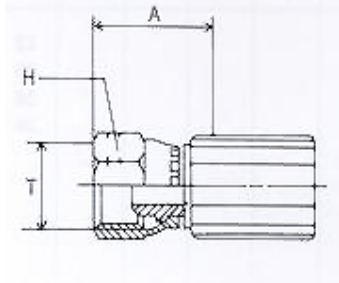
[Contents Page](#)

**S803 SERIES – METRIC FEMALE – LIGHT DUTY TYPE 24° SEAT ANGLE – STANDARD TAIL**

PART NUMBER	HOSE BORE	THREAD	DIMENSIONS mm						
	I	T	A	B	C	D	E	H	L
S803-12-04 (S)	1/4"	12 x 1.5	19					16	
S803-14-04 (S)	1/4"	14 x 1.5	19					19	
S803-16-06 (S)	3/8"	16 x 1.5	23					22	
S803-18-06 (S)	3/8"	18 x 1.5	24					22	
S803-22-08 (S)	1/2"	22 x 1.5	24					26	
S803-26-08 (S)	1/2"	26 x 1.5	27					32	
S803-26-10 (S)	5/8"	26 x 1.5	27					32	
S803-30-12 (S)	3/4"	30 x 2	28					35	
S803-36-16 (S)	1"	36 x 2	31					44	
S803-45-20 • (S)	1-1/4"	45 x 2	41					57	
S803-52-24 • (S)	1-1/2"	52 x 2	43					60	

**S803 SERIES – METRIC FEMALE – LIGHT DUTY TYPE 24° SEAT ANGLE – MULTISPIRAL TAIL**

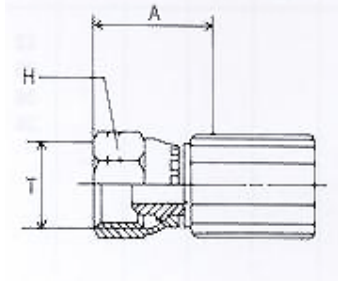
PART NUMBER	HOSE BORE	THREAD	DIMENSIONS mm						
	I	T	A	B	C	D	E	H	L
S803-30-12 (L)	3/4"	30 x 2	28					35	
S803-36-16 (L)	1"	36 x 2	31					44	
S803-45-20 • (L)	1-1/4"	45 x 2	41					57	
S803-52-24 • (L)	1-1/2"	52 x 2	43					60	



[Contents Page](#)

<b>S804 SERIES – METRIC FEMALE – HEAVY DUTY 24° SEAT ANGLE – STANDARD TAIL</b>									
PART NUMBER	HOSE BORE	THREAD	DIMENSIONS mm						
	I	T	A	B	C	D	E	H	L
S804-16-04 (S)	1/4"	16 x 1.5	22					22	
S804-18-04 (S)	1/4"	18 x 1.5	23					22	
S804-22-06 (S)	3/8"	22 x 1.5	25					26	
S804-24-08 (S)	1/2"	24 x 1.5	26					29	
S804-30-10 (S)	5/8"	30 x 2	28					35	
S804-36-12 (S)	3/4"	36 x 2	31					44	
S804-42-16 • (S)	1"	42 x 2	39					48	
S804-52-16 • (S)	1"	52 x 2	43					60	
S804-52-20 • (S)	1-1/4"	52 x 2	43					60	

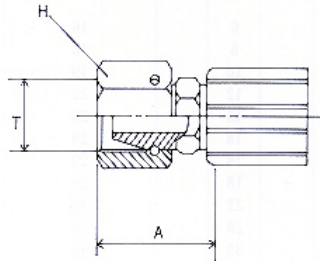
<b>S804 SERIES – METRIC FEMALE – HEAVY DUTY 24° SEAT ANGLE – MULTISPIRAL TAIL</b>									
PART NUMBER	HOSE BORE	THREAD	DIMENSIONS mm						
	I	T	A	B	C	D	E	H	L
S804-36-12 (L)	3/4"	36 x 2	31					44	
S804-42-16 • (L)	1"	42 x 2	39					48	
S804-52-16 • (L)	1"	52 x 2	43					60	
S804-52-20 • (L)	1-1/4"	52 x 2	43					60	



[Contents Page](#)

<b>S805 SERIES – METRIC STRAIGHT FEMALE – FRENCH TYPE – STANDARD TAIL</b>									
PART NUMBER	HOSE BORE	THREAD	DIMENSIONS mm						
	I	T	A	B	C	D	E	H	L
S805-20-06 (S)	3/8"	20 x 1.5	25					26	
S805-24-08 (S)	1/2"	24 x 1.5	27					29	
S805-30-10 (S)	5/8"	30 x 1.5	30					35	
S805-30-12 (S)	3/4"	30 x 1.5	33					35	
S805-34-12 (S)	3/4"	34 x 1.5	33					44	
S805-36-12 (S)	3/4"	36 x 1.5	39					44	
S805-45-16 • (S)	1"	45 x 1.5	37					57	

<b>S805 SERIES – METRIC STRAIGHT FEMALE – FRENCH TYPE – MULTISPIRAL TAIL</b>									
PART NUMBER	HOSE BORE	THREAD	DIMENSIONS mm						
	I	T	A	B	C	D	E	H	L
S805-30-12 (L)	3/4"	30 x 1.5	33					35	
S805-34-12 (L)	3/4"	34 x 1.5	33					44	
S805-36-12 (L)	3/4"	36 x 1.5	39					44	
S805-45-16 • (L)	1"	45 x 1.5	37					57	



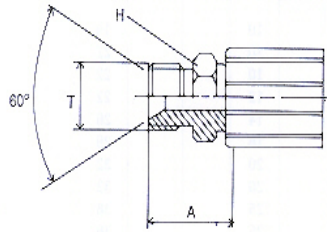
[Contents Page](#)

**S806 SERIES – ‘O’-RING STRAIGHT FEMALE(DKO) HEAVY DUTY TYPE – STANDARD TYPE**

PART NUMBER	HOSE BORE	THREAD	DIMENSIONS mm						
	I	T	A	B	C	D	E	H	L
S806-20-06 (S)	3/8"	20 x 1.5	36					26	
S806-22-06 (S)	3/8"	22 x 1.5	37					26	
S806-24-08 (S)	1/2"	24 x 1.5	39					29	
S806-30-10 (S)	5/8"	30 x 2	46					35	
S806-36-12 (S)	3/4"	36 x 2	47					44	
S806-42-16 (S)	1"	42 x 2	52					48	
S806-52-16 (S)	1"	52 x 2	56					63	
S806-52-20 (S)	1-1/4"	52 x 2	56					63	

**S806 SERIES – ‘O’-RING STRAIGHT FEMALE(DKO) HEAVY DUTY TYPE – MULTISPIRAL TAIL**

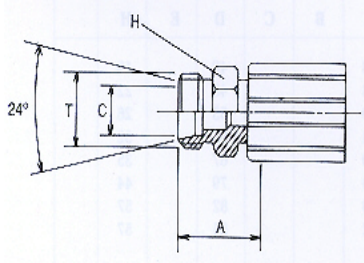
PART NUMBER	HOSE BORE	THREAD	DIMENSIONS mm						
	I	T	A	B	C	D	E	H	L
S806-36-12 (L)	3/4"	36 x 2	47					44	
S806-42-16 (L)	1"	42 x 2	52					48	
S806-52-16 (L)	1"	52 x 2	56					63	
S806-52-20 (L)	1-1/4"	52 x 2	56					63	



[Contents Page](#)

S811 SERIES – METRIC MALE 60° SEAT – STANDARD TAIL									
PART NUMBER	HOSE BORE	THREAD	DIMENSIONS mm						
	I	T	A	B	C	D	E	H	L
S811-12-04 (S)	1/4"	12 x 1.5	23					16	
S811-14-04 (S)	1/4"	14 x 1.5	23					16	
S811-16-04 (S)	1/4"	16 x 1.5	27					19	
S811-14-06 (S)	3/8"	14 x 15	25					16	
S811-16-06 (S)	3/8"	16 x 1.5	28					19	
S811-18-06 (S)	3/8"	18 x 1.5	28					19	
S811-18-08 (S)	1/2"	18 x 1.5	28					19	
S811-22-08 (S)	1/2"	22 x 1.5	31					26	
S811-26-10 (S)	5/8"	26 x 1.5	33					29	
S811-30-12 (S)	3/4"	30 x 1.5	37					32	
S811-38-16 (S)	1"	38 x 1.5	40					44	
S811-45-20 (S)	1-1/4"	45 x 1.5	42					48	

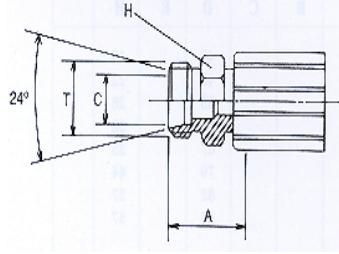
S811 SERIES – METRIC MALE 60° SEAT – MULTISPIRAL TAIL									
PART NUMBER	HOSE BORE	THREAD	DIMENSIONS mm						
	I	T	A	B	C	D	E	H	L
S811-30-12 (L)	3/4"	30 x 1.5	37					32	
S811-38-16 (L)	1"	38 x 1.5	40					44	
S811-45-20 (L)	1-1/4"	45 x 1.5	42					48	



[Contents Page](#)

<b>S813 SERIES – METRIC MALE 24° SEAT LIGHT DUTY TYPE – STANDARD TAIL</b>									
PART NUMBER	HOSE BORE	THREAD	DIMENSIONS mm						
	I	T	A	B	C	D	E	H	L
S813-12-04 (S)	1/4"	12 x 1.5	22		6			16	
S813-14-04 (S)	1/4"	14 x 1.5	22		8			16	
S813-16-06 (S)	3/8"	16 x 1.5	25		10			19	
S813-18-06 (S)	3/8"	18 x 1.5	25		12			22	
S813-22-08 (S)	1/2"	22 x 1.5	28		15			26	
S813-26-08 (S)	1/2"	26 x 1.5	28		18			29	
S813-26-10 (S)	5/8"	26 x 1.5	28		18			29	
S813-26-12 (S)	3/4"	26 x 1.5	31		18			29	
S813-30-12 (S)	3/4"	30 x 2	33		22			32	
S813-36-12 (S)	3/4"	36 x 2	36		28			38	
S813-45-20 (S)	1-1/4"	45 x 2	40		35			48	
S813-52-24 (S)	1-1/2"	52 x 2	40		42			57	

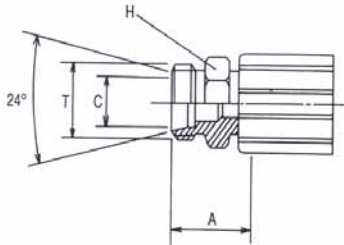
<b>S813 SERIES – METRIC MALE 24° SEAT LIGHT DUTY TYPE – MULTISPIRAL TAIL</b>									
PART NUMBER	HOSE BORE	THREAD	DIMENSIONS mm						
	I	T	A	B	C	D	E	H	L
S813-26-12 (L)	3/4"	26 x 1.5	31		18			29	
S813-30-12 (L)	3/4"	30 x 2	33		22			32	
S813-36-12 (L)	3/4"	36 x 2	36		28			38	
S813-45-20 (L)	1-1/4"	45 x 2	40		35			48	
S813-52-24 (L)	1-1/2"	52 x 2	40		42			57	



[Contents Page](#)

<b>S814 SERIES – METRIC MALE 24° SEAT HEAVY DUTY TYPE – STANDARD TAIL</b>									
PART NUMBER	HOSE BORE	THREAD	DIMENSIONS mm						
	I	T	A	B	C	D	E	H	L
S814-16-04 (S)	1/4"	16 x 1.5	25		10			19	
S814-18-04 (S)	1/4"	18 x 1.5	25		10			22	
S814-18-06 (S)	3/8"	18 x 1.5	27		10			22	
S814-20-06 (S)	3/8"	20 x 1.5	27		12			22	
S814-22-06 (S)	3/8"	22 x 1.5	29		14			26	
S814-24-08 (S)	1/2"	24 x 1.5	30		16			26	
S814-30-10 (S)	5/8"	30 x 2	32		20			32	
S814-30-12 (S)	3/4"	30 x 2	35		20			32	
S814-36-12 (S)	3/4"	36 x 2	37		25			38	
S814-36-16 (S)	1"	36 x 2	40		25			38	
S814-42-16 (S)	1"	42 x 2	42		30			44	
S814-52-16 (S)	1"	52 x 2	44		38			57	
S814-42-20 (S)	1-1/4"	42 x 2	44		30			48	
S814-52-20 (S)	1-1/4"	52 x 2	46		38			57	

<b>S814 SERIES – METRIC MALE 24° SEAT HEAVY DUTY TYPE – MULTISPIRAL TAIL</b>									
PART NUMBER	HOSE BORE	THREAD	DIMENSIONS mm						
	I	T	A	B	C	D	E	H	L
S814-30-12 (L)	3/4"	30 x 2	35		20			32	
S814-36-12 (L)	3/4"	36 x 2	37		25			38	
S814-36-16 (L)	1"	36 x 2	40		25			38	
S814-42-16 (L)	1"	42 x 2	42		30			44	
S814-52-16 (L)	1"	52 x 2	44		38			57	
S814-42-20 (L)	1-1/4"	42 x 2	44		30			48	
S814-52-20 (L)	1-1/4"	52 x 2	46		38			57	



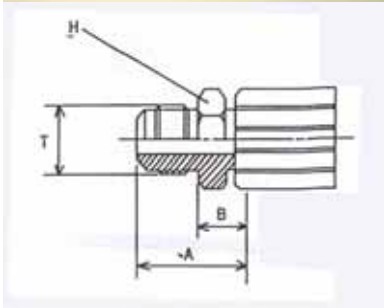
[Contents Page](#)

**S815 SERIES – METRIC MALE – FRENCH TYPE  
– STANDARD TAIL**

PART NUMBER	HOSE BORE	THREAD	DIMENSIONS mm						
	I	T	A	B	C	D	E	H	L
S815-20-06 (S)	3/8"	20 x 1.5	26		13.25			22	
S815-24-08 (S)	1/2"	24 x 1.5	28		16.75			26	
S815-30-10 (S)	5/8"	30 x 1.5	30		21.25			32	
S815-30-12 (S)	3/4"	30 x 1.5	31		22			32	
S815-36-12 (S)	3/4"	36 x 1.5	31		26.75			38	
S815-45-16 (S)	1"	45 x 1.5	36		33.5			48	
S815-45-20 (S)	1-1/4"	45 x 1.5	37		33.5			48	

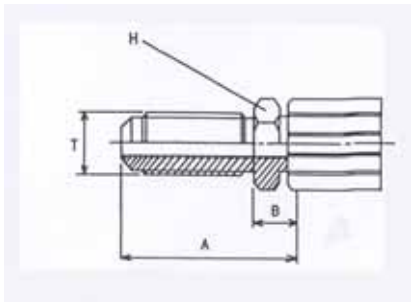
**S815 SERIES – METRIC MALE – FRENCH TYPE  
– MULTISPIRAL TAIL**

PART NUMBER	HOSE BORE	THREAD	DIMENSIONS mm						
	I	T	A	B	C	D	E	H	L
S815-30-12 (L)	3/4"	30 x 1.5	31		22			32	
S815-36-12 (L)	3/4"	36 x 1.5	31		26.75			38	
S815-45-16 (L)	1"	45 x 1.5	36		33.5			48	
S815-45-20 (L)	1-1/4"	45 x 1.5	37		33.5			48	



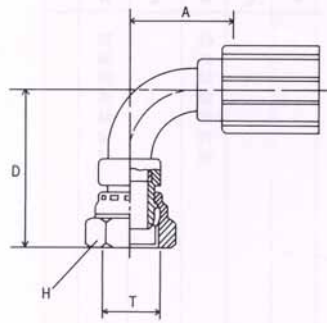
[Contents Page](#)

S818 JIS 30° FLARE MALE - STANDARD TAIL								
PART NUMBER	HOSE BORE	THREAD	DIMENSIONS mm					
	I	T	A	B	C	D	E	H
S818-10-04 (1.0)(S)	1/4"	1.0	27.7	12.7				12.7
S818-12-04 (1.0)(S)	1/4"	1.0	28.2	12.7				16
S818-12-04 (1.5)(S)	1/4"	1.5	28.2	12.7				16
S818-12-06 (1.5)(S)	3/8"	1.5	28.5	13				16
S818-14-04 (S)	1/4"	1.5	28.7	12.7				16
S818-14-06 (S)	3/8"	1.5	31	15				16
S818-16-06 (S)	3/8"	1.5	32	15				19
S818-22-08 (S)	1/2"	1.5	38	17				26



[Contents Page](#)

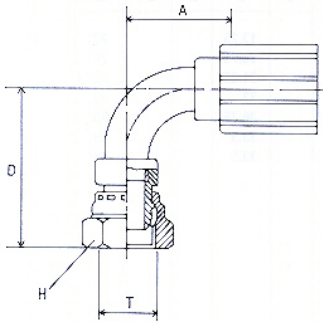
S819 JIS BULKHEAD MALE 30° SEAT ANGLE – STANDARD TAIL									
PART NUMBER	HOSE BORE	THREAD	DIMENSIONS mm						
	I	T	A	B	C	D	E	H	L
S819-10-04 (1.0) (S)	1/4"	1.0	39.7	12.2				12.7	
S819-10-04 (1.25) (S)	1/4"	1.25	39.7	12.2				12.7	
S819-10-04 (1.5) (S)	1/4"	1.5	39.7	12.2				12.7	
S819-12-04 (1.0) (S)	1/4"	1.0	44.7	12.7				16	
S819-12-04 (1.5) (S)	1/4"	1.5	44.7	12.7				16	
S819-12-06 (1.5) (S)	3/8"	1.5	43.2	11.2				16	
S819-14-04 (S)	1/4"	1.5	44.7	12.7				16	
S819-14-06 (S)	3/8"	1.5	43.2	11.2				16	
S819-16-06 (S)	3/8"	1.5	44.2	13.2				19	
S819-18-06 (S)	3/8"	1.5	45.2	13.2				19	
S819-20-06 (S)	3/8"	1.5	49.7	15.2				22	
S819-16-08 (S)	1/2"	1.5	44.5	13.5				19	
S819-20-08 (S)	1/2"	1.5	50	15.5				22	
S819-22-08 (S)	1/2"	1.5	50	15.5				26	



[Contents Page](#)

<b>S851 SERIES – METRIC 90° SWEPT ELBOW 60° CONE (SOLID PIECE) – STANDARD TAIL</b>									
PART NUMBER	HOSE BORE	THREAD	DIMENSIONS mm						
	I	T	A	B	C	D	E	H	L
S851-14-04 (VS)	1/4"	14 x 1.5	28			39		19	
S851-16-06 (VS)	3/8"	16 x 1.5	33			47		22	
S851-18-06 (VS)	3/8"	18 x 1.5	33			48		22	
S851-22-08 (VS)	1/2"	22 x 1.5	39			55		26	
S851-26-10 (VS)	5/8"	26 x 1.5	44			65		32	
S851-30-12 (VS)	3/4"	30 x 1.5	50			67		35	
S851-38-16 (VS)	1"	38 x 1.5	62			79		44	
S851-45-20 (VS)	1-1/4"	45 x 1.5	69			82		57	

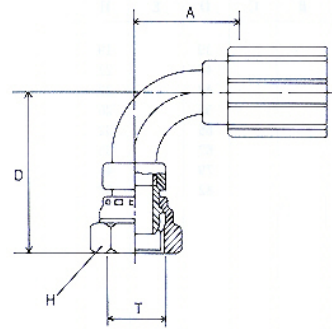
<b>S851 SERIES – METRIC 90° SWEPT ELBOW 60° CONE (SOLID PIECE) – MULTISPIRAL TAIL</b>									
PART NUMBER	HOSE BORE	THREAD	DIMENSIONS mm						
	I	T	A	B	C	D	E	H	L
S851-30-12 (VL)	3/4"	30 x 1.5	50			67		35	
S851-38-16 (VL)	1"	38 x 1.5	62			79		44	
S851-45-20 (VL)	1-1/4"	45 x 1.5	69			82		57	



[Contents Page](#)

<b>S853 SERIES – METRIC 90° SWEEP ELBOW – LIGHT DUTY 24° SEAT – STANDARD TAIL (SOLID PIECE)</b>									
PART NUMBER	HOSE BORE	THREAD	DIMENSIONS mm						
	I	T	A	B	C	D	E	H	L
S853-14-04 (VS)	1/4"	14 x 1.5	28			40		19	
S853-18-06 (VS)	3/8"	18 x 1.5	33			48		22	
S853-22-08 (VS)	1/2"	22 x 1.5	39			55		26	
S853-26-10 (VS)	5/8"	26 x 1.5	44			65		32	
S853-30-12 (VS)	3/4"	30 x 2	50			67		35	
S853-36-16 (VS)	1"	36 x 2	63			79		44	
S853-45-20 (VS)	1-1/4"	45 x 2	69			82		57	
S853-52-2 (VS)	1-1/2"	52 x 2	82			84		57	

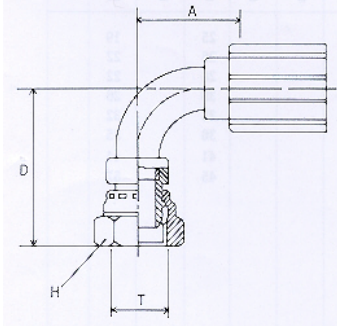
<b>S853 SERIES – METRIC 90° SWEEP ELBOW – LIGHT DUTY 24° SEAT – MULTISPIRAL TAIL (SOLID PIECE)</b>									
PART NUMBER	HOSE BORE	THREAD	DIMENSIONS mm						
	I	T	A	B	C	D	E	H	L
S853-30-12 (VL)	3/4"	30 x 2	50			67		35	
S853-36-16 (VL)	1"	36 x 2	63			79		44	
S853-45-20 (VL)	1-1/4"	45 x 2	69			82		57	
S853-52-24 (VL)	1-1/2"	52 x 2	82			84		57	



[Contents Page](#)

S854 SERIES – METRIC 90° SWEPT ELBOW – HEAVY DUTY 24° SEAT – STANDARD TAIL (SOLID PIECE)									
PART NUMBER	HOSE BORE	THREAD	DIMENSIONS mm						
	I	T	A	B	C	D	E	H	L
S854-18-04 (VS)	1/4"	18 x 1.5	28			41		22	
S854-22-06 (VS)	3/8"	22 x 1.5	32			46		26	
S854-24-08 (VS)	1/2"	24 x 1.5	39			53		29	
S854-30-10 (VS)	5/8"	30 x 2	44			58		35	
S854-36-12 (VS)	3/4"	36 x 2	50			66		44	
S854-42-16 (VS)	1"	42 x 2	63			75		48	
S854-52-20 • (VS)	1-1/4"	52 x 2	69			84		57	

S854 SERIES – METRIC 90° SWEPT ELBOW – HEAVY DUTY 24° SEAT – MULTISPIRAL TAIL (SOLID PIECE)									
PART NUMBER	HOSE BORE	THREAD	DIMENSIONS mm						
	I	T	A	B	C	D	E	H	L
S854-36-12 (VL)	3/4"	36 x 2	50			66		44	
S854-42-16 (VL)	1"	42 x 2	63			75		48	
S854-52-20 (VL)	1-1/4"	52 x 2	69			84		57	



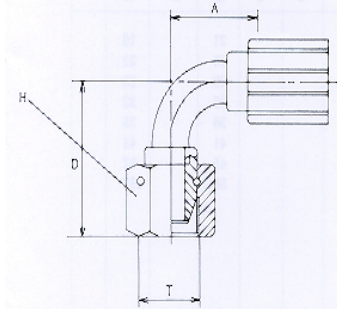
[Contents Page](#)

**S855 SERIES – METRIC 90° SWEPT ELBOW – FRENCH TYPE 24° SEAT – STANDARD TAIL (SOLID PIECE)**

PART NUMBER	HOSE BORE	THREAD	DIMENSIONS mm						
	I	T	A	B	C	D	E	H	L
S855-20-06 (VS)	3/8"	20 x 1.5	33			48		26	
S855-24-08 (VS)	1/2"	24 x 1.5	39			56		29	
S855-30-10 (VS)	5/8"	30 x 1.5	44			64		35	
S855-36-12 (VS)	3/4"	36 x 1.5	50			65		44	
S855-45-16 (VS)	1"	45 x 1.5	63			77		57	

**S855 SERIES – METRIC 90° SWEPT ELBOW – FRENCH TYPE 24° SEAT – MLTISPIRAL TAIL (SOLID PIECE)**

PART NUMBER	HOSE BORE	THREAD	DIMENSIONS mm						
	I	T	A	B	C	D	E	H	L
S855-36-12 (VL)	3/4"	36 x 1.5	50			65		44	
S855-45-16 (VL)	1"	45 x 1.5	63			77		57	



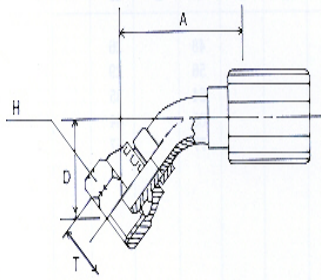
[Contents Page](#)

**S856 SERIES – METRIC 90° ‘O’-RING SWEPT ELBOW (DKO)  
– STANDARD TAIL (SOLID PIECE)**

PART NUMBER	HOSE BORE	THREAD	DIMENSIONS mm							
	I	T	A	B	C	D	E	H	L	
S856-20-06 • (VS)	3/8"	20 x 1.5	32			44		26		
S856-22-06 • (VS)	3/8"	22 x 1.5	32			47		26		
S856-24-08 • (VS)	1/2"	24 x 1.5	39			53		29		
S856-30-10 • (VS)	5/8"	30 x 2	44			58		35		
S856-36-12 • (VS)	3/4"	36 x 2	50			64		44		
S856-42-16 • (VS)	1"	42 x 2	63			76		48		
S856-52-16 • (VS)	1"	52 x 2	63			86		65		
S856-52-20 • (VS)	1-1/4"	52 x 2	69			86		65		

**S856 SERIES – METRIC 90° ‘O’-RING SWEPT ELBOW (DKO)  
– MULTISPIRAL TAIL (SOLID PIECE)**

PART NUMBER	HOSE BORE	THREAD	DIMENSIONS mm							
	I	T	A	B	C	D	E	H	L	
S856-36-12 • (VL)	3/4"	36 x 2	50			64		44		
S856-42-16 • (VL)	1"	42 x 2	63			76		48		
S856-52-16 • (VL)	1"	52 x 2	63			86		65		
S856-52-20 • (VL)	1-1/4"	52 x 2	69			86		65		



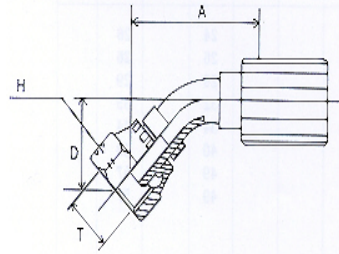
[Contents Page](#)

**S861 SERIES – METRIC 45° SWEPT ELBOW 60° SEAT  
– STANDARD TAIL (SOLID PIECE)**

PART NUMBER	HOSE BORE	THREAD	DIMENSIONS mm						
	I	T	A	B	C	D	E	H	L
S861-14-04 (VS)	1/4"	14 x 1.5	40			25		19	
S861-16-06 (VS)	3/8"	16 x 1.5	44			26		22	
S861-18-06 (VS)	3/8"	18 x 1.5	45			26		22	
S861-22-08 (VS)	1/2"	22 x 1.5	45			30		26	
S861-26-10 (VS)	5/8"	26 x 1.5	57			35		32	
S861-30-12 (VS)	3/4"	30 x 1.5	57			36		35	
S861-38-16 (VS)	1"	38 x 1.5	69			41		44	
S861-45-20 (VS)	1-1/4"	45 x 1.5	77			45		57	

**S861 SERIES – METRIC 45° SWEPT ELBOW 60° SEAT  
– MULTISPIRAL TAIL (SOLID PIECE)**

PART NUMBER	HOSE BORE	THREAD	DIMENSIONS mm						
	I	T	A	B	C	D	E	H	L
S861-30-12 (VL)	3/4"	30 x 1.5	57			36		35	
S861-38-16 (VL)	1"	38 x 1.5	69			41		44	
S861-45-20 (VL)	1-1/4"	45 x 1.5	77			45		57	



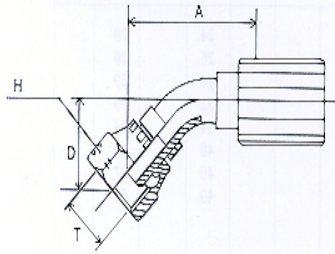
[Contents Page](#)

**S863 SERIES – METRIC 45° SWEEP ELBOW – LIGHT DUTY 24° SEAT – STANDARD TAIL (SOLID PIECE)**

PART NUMBER	HOSE BORE	THREAD	DIMENSIONS mm						
	I	T	A	B	C	D	E	H	L
S863-14-04 (VS)	1/4"	14 x 1.5	37			21		19	
S863-18-06 (VS)	3/8"	18 x 1.5	43			26		22	
S863-22-08 (VS)	1/2"	22 x 1.5	46			30		26	
S863-26-10 (VS)	5/8"	26 x 1.5	54			35		32	
S863-30-12 (VS)	3/4"	30 x 2	57			36		35	
S863-36-16 (VS)	1"	36 x 2	69			41		44	
S863-45-20 • (VS)	1-1/4"	45 x 2	81			45		57	
S863-52-24 • (VS)	1-1/2"	52 x 2	104			58		57	

**S863 SERIES – METRIC 45° SWEEP ELBOW – LIGHT DUTY 24° SEAT – MULTISPIRAL TAIL (SOLID PIECE)**

PART NUMBER	HOSE BORE	THREAD	DIMENSIONS mm						
	I	T	A	B	C	D	E	H	L
S863-30-12 (VL)	3/4"	30 x 2	57			36		35	
S863-36-16 (VL)	1"	36 x 2	69			41		44	
S863-45-20 • (VL)	1-1/4"	45 x 2	81			45		57	
S863-52-24 • (VL)	1-1/2"	52 x 2	104			58		57	



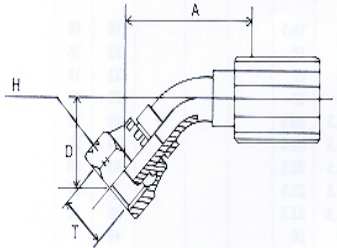
[Contents Page](#)

**S864 SERIES – METRIC 45° SWEPT ELBOW – HEAVY DUTY 24° SEAT – STANDARD TAIL (SOLID PIECE)**

PART NUMBER	HOSE BORE	THREAD	DIMENSIONS mm						
	I	T	A	B	C	D	E	H	L
S864-18-04 (VS)	1/4"	18 x 1.5	39			26		22	
S864-22-06 (VS)	3/8"	22 x 1.5	42			30		26	
S864-24-08 (VS)	1/2"	24 x 1.5	46			34		29	
S864-30-10 (VS)	5/8"	30 x 2	53			36		35	
S864-36-12 (VS)	3/4"	36 x 2	59			41		44	
S864-42-16 • (VS)	1"	42 x 2	68			44		48	
S864-52-20 • (VS)	1-1/4"	52 x 2	80			45		57	

**S864 SERIES – METRIC 45° SWEPT ELBOW – HEAVY DUTY 24° SEAT – MULTISPIRAL TAIL (SOLID PIECE)**

PART NUMBER	HOSE BORE	THREAD	DIMENSIONS mm						
	I	T	A	B	C	D	E	H	L
S864-36-12 (VL)	3/4"	36 x 2	59			41		44	
S864-42-16 • (VL)	1"	42 x 2	68			44		48	
S864-52-20 • (VL)	1-1/4"	52 x 2	80			45		57	



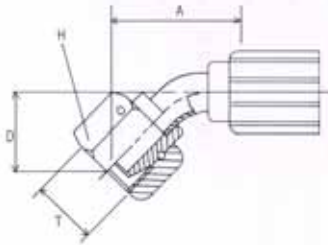
[Contents Page](#)

**S865 SERIES – METRIC 45° SWEPT ELBOW – FRENCH TYPE 24° SEAT – STANDARD TAIL (SOLID PIECE)**

PART NUMBER	HOSE BORE	THREAD	DIMENSIONS mm						
	I	T	A	B	C	D	E	H	L
S865-20-06 (VS)	3/8"	20 x 1.5	49			27		26	
S865-24-08 (VS)	1/2"	24 x 1.5	56			31		29	
S865-30-10 (VS)	5/8"	30 x 1.5	56			31		35	
S865-36-12 (VS)	3/4"	36 x 1.5	62			35		44	
S865-45-16 • (VS)	1"	45 x 1.5	82			42		57	

**S865 SERIES – METRIC 45° SWEPT ELBOW – FRENCH TYPE 24° SEAT – MULTISPIRAL TAIL (SOLID PIECE)**

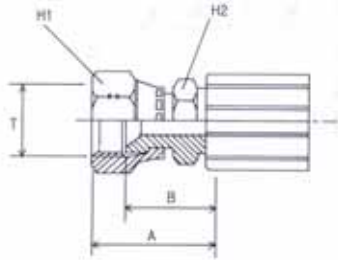
PART NUMBER	HOSE BORE	THREAD	DIMENSIONS mm						
	I	T	A	B	C	D	E	H	L
S865-36-12 (VL)	3/4"	36 x 1.5	62			35		44	
S865-45-16 • (VL)	1"	45 x 1.5	82			42		57	



[Contents Page](#)

<b>S866 SERIES – METRIC 45° '0' – RING SWEEP ELBOW (DKO) – STANDARD TAIL (SOLID PIECE)</b>									
PART NUMBER	HOSE BORE	THREAD	DIMENSIONS mm						
	I	T	A	B	C	D	E	H	L
S866-20-06 (VS)	3/8"	20 x 1.5	46			24		26	
S866-22-06 (VS)	3/8"	22 x 1.5	48			26		26	
S866-24-08 (VS)	1/2"	24 x 1.5	50			29		29	
S866-30-10 (VS)	5/8"	30 x 2	58			32		35	
S866-36-12 (VS)	3/4"	36 x 2	62			34		44	
S866-42-16 • (VS)	1"	42 x 2	71			40		48	
S866-52-16 • (VS)	1"	52 x 2	90			49		57	
S866-52-20 • (VS)	1-1/4"	52 x 2	90			49		57	

<b>S866 SERIES – METRIC 45° '0' – RING SWEEP ELBOW (DKO) – MULTISPIRAL TAIL (SOLID PIECE)</b>									
PART NUMBER	HOSE BORE	THREAD	DIMENSIONS mm						
	I	T	A	B	C	D	E	H	L
S866-36-12 (VL)	3/4"	36 x 2	62			34		44	
S866-42-16 • (VL)	1"	42 x 2	71			40		48	
S866-52-16 • (VL)	1"	52 x 2	90			49		57	
S866-52-20 • (VL)	1-1/4"	52 x 2	90			49		57	



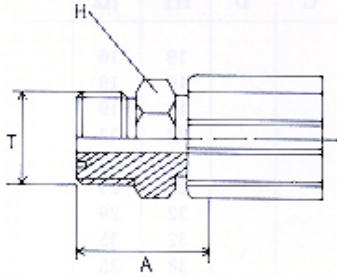
[Contents Page](#)

**S870 SERIES – JAPANESE METRIC FEMALE 30° SEAT  
– STANDARD TAIL**

PART NUMBER	HOSE BORE	THREAD	DIMENSIONS mm							
	I	T	A	B	C	D	E	H1	H2	
S870-14-04 (S)	1/4"	14 x 1.5	22	16.5				19	16	
S870-16-06 (S)	3/8"	16 x 1.5	24	17				22	16	
S870-18-06 (S)	3/8"	18 x 1.5	26	17				22	19	
S870-22-08 (S)	1/2"	22 x 1.5	33	21				26	22	
S870-24-08 (S)	1/2"	24 x 1.5	33.5	20.5				29	26	
S870-24-10 (S)	5/8"	24 x 1.5	36.5	23.5				29	26	
S870-30-12 (S)	3/4"	30 x 1.5	36.5	23.5				35	29	
S870-33-12 (S)	3/4"	33 x 1.5	37.5	22.5				38	32	
S870-33-16 (S)	1"	33 x 1.5	37.5	22.5				38	32	
S870-36-16 (S)	1"	36 x 1.5	40	26				44		
S870-36-20 (S)	1-1/4"	36 x 1.5	45	26				44		
S870-42-20 • (S)	1-1/4"	42 x 1.5	48	28				48		
S870-42-24 • (S)	1-1/2"	42 x 1.5	48	28				48		

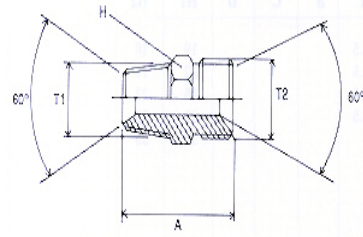
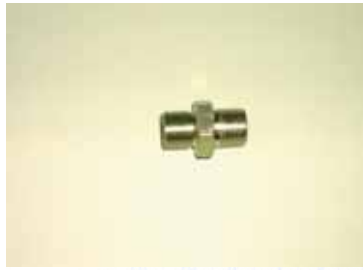
**S870 SERIES – JAPANESE METRIC FEMALE 30° SEAT  
– MULTISPIRAL TAIL**

PART NUMBER	HOSE BORE	THREAD	DIMENSIONS mm							
	I	T	A	B	C	D	E	H1	H2	
S870-30-12 (L)	3/4"	30 x 1.5	36.5	23.5				35	29	
S870-33-12 (L)	3/4"	33 x 1.5	37.5	22.5				38	32	
S870-33-16 (L)	1"	33 x 1.5	37.5	22.5				38	32	
S870-36-16 (L)	1"	36 x 1.5	40	26				44		
S870-36-20 (L)	1-1/4"	36 x 1.5	45	26				44		
S870-42-20 • (L)	1-1/4"	42 x 1.5	48	28				48		
S870-42-24 • (L)	1-1/2"	42 x 1.5	48	28				48		



[Contents Page](#)

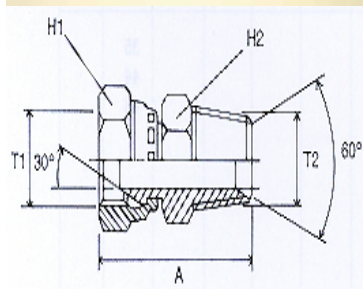
S880 SERIES – METRIC MALE WITH ‘0’ RING GROOVE – MULTISPIRAL TAIL									
PART NUMBER	HOSE BORE	THREAD	DIMENSIONS mm						
	I	T	A	B	C	D	E	H	L
S880-32-12 (L)	3/4"	32 x 1.5	32					35	
S880-40-16 (L)	1"	40 x 1.5	38					44	
S880-45-20 (L)	1-1/4"	45 x 1.5	40.5					48	



[Contents Page](#)

**ADAB SERIES BSPT – BSPP ADAPTORS**

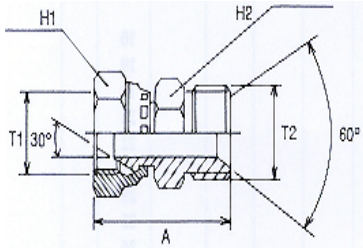
PART NUMBER	THREAD		DIMENSIONS mm							
	T1	T2	A	B	C	D	E	H	L	
ADAB-04-04	1/4 – 19	1/4 – 19	30.5						16	
ADAB-06-04	3/8 – 19	1/4 – 19	32						19	
ADAB-06-06	3/8 – 19	3/8 – 19	33.5						19	
ADAB-08-06	1/2 – 14	3/8 – 19	38.5						22	
ADAB-08-08	1/2 – 14	1/2 – 14	41.5						22	
ADAB-12-08	3/4 – 14	1/2 – 14	46						29	
ADAB-12-12	3/4 – 14	3/4 – 14	49						29	
ADAB-16-12	1" – 11	3/4 – 14	55.5						35	
ADAB-16-16	1" – 11	1" – 11	58.5						35	



[Contents Page](#)

**ADCA SERIES – BSPP FEMALE – BSPT ADAPTORS**

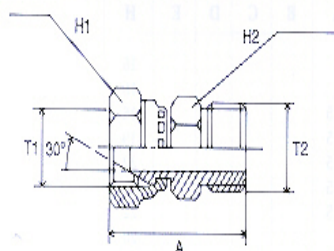
PART NUMBER	THREAD		DIMENSIONS mm							
	T1	T2	A	B	C	D	E	H1	H2	
ADCA-04-04	1/4 – 19	1/4 – 19	35.5						19	16
ADCA-04-06	1/4 – 19	3/8 – 19	36.5						19	19
ADCA-06-06	3/8 – 19	3/8 – 19	37.5						22	19
ADCA-06-08	3/8 – 19	1/2 – 14	43						22	22
ADCA-08-08	1/2 – 14	1/2 – 14	44						26	22
ADCA-08-12	1/2 – 14	3/4 – 14	48.5						26	29
ADCA-12-12	3/4 – 14	3/4 – 14	55						32	29
ADCA-12-16	3/4 – 14	1" – 11	61.5						32	35
ADCA-16-16	1" – 11	1" – 11	65.5						38	35



[Contents Page](#)

**ADCB SERIES – BSPP FEMALE – BSPP ADAPTORS**

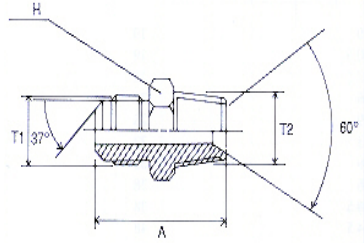
PART NUMBER	THREAD		DIMENSIONS mm							
	T1	T2	A	B	C	D	E	H1	H2	
ADCB-04-04	1/4 – 19	1/4 – 19	33.5					19	16	
ADCB-06-06	3/8 – 19	3/8 – 19	36.5					22	19	
ADCB-08-08	1/2 – 14	1/2 – 14	42.5					26	22	
ADCB-12-12	3/4 – 14	3/4 – 14	53.5					32	29	
ADCB-16-16	1" – 11	1" – 11	64					38	35	



[Contents Page](#)

**ADCN SERIES – BSPP FEMALE – UN '0' –RING BOSS ADAPTORS**

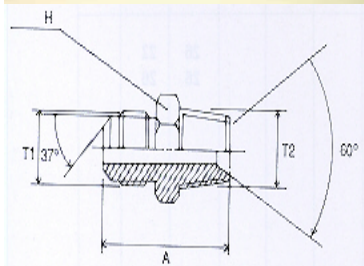
PART NUMBER	THREAD		DIMENSIONS mm							
	T1	T2	A	B	C	D	E	H1	H2	
ADCN-08-12	1/2 – 14	3/4 – 16	38					26	22	
ADCN-08-14	1/2 – 14	7/8 – 14	41.7					26	26	



[Contents Page](#)

### ADGA SERIES – JIC-BSPT ADAPTORS

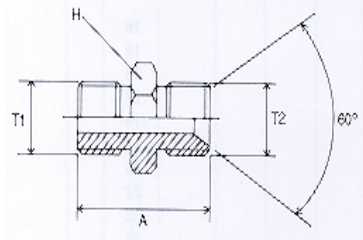
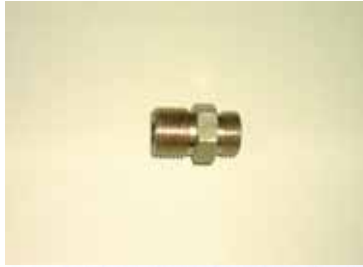
PART NUMBER	THREAD		DIMENSIONS mm							
	I	T	A	B	C	D	E	H	L	
ADGA-07-04	7/16 – 20	1/4 – 19	33.5					16		
ADGA-08-04	1/2 – 20	1/4 – 19	33.5					16		
ADGA-09-04	9/16 – 18	1/4 – 19	33.5					16		
ADGA-12-04	3/4 – 16	1/4 – 19	36.5					22		
ADGA-09-06	9/16 – 18	3/8 – 19	36					19		
ADGA-12-06	3/4 – 16	3/8 – 19	38					22		
ADGA-14-06	7/8 – 14	3/8 – 19	41.5					26		
ADGA-09-08	9/16 – 18	1/2 – 14	40					22		
ADGA-12-08	3/4 – 16	1/2 – 14	42					22		
ADGA-14-08	7/8 – 14	1/2 – 14	44.5					26		
ADGA-14-12	7/8 – 14	3/4 – 14	49.5					29		
ADGA-17-12	1-1/16 – 12	3/4 – 14	52.5					29		
ADGA-19-12	1-3/16 – 12	3/4 – 14	54					32		
ADGA-21-12	1-5/16 – 12	3/4 – 14	54.5					35		
ADGA-17-16	1-1/16 – 12	1" – 11	55					35		
ADGA-19-16	1-3/16 – 12	1" – 11	55.5					35		
ADGA-21-16	1-5/16 – 12	1" – 11	56					35		
ADGA-26-16	1-5/8 – 12	1" – 11	56.5					44		
ADGA-21-20	1-5/16 – 12	1-1/4 – 11	60.5					44		
ADGA-26-20	1-5/8 – 12	1-1/4 – 11	61.5					44		
ADGA-30-24	1-7/8 – 12	1-1/2 – 11	65					48		



[Contents Page](#)

### ADGL SERIES – JIC-NPT ADAPTORS

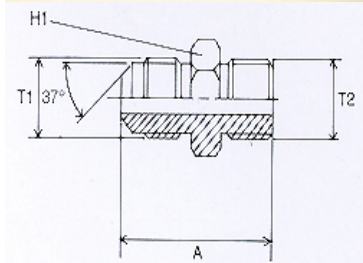
PART NUMBER	THREAD		DIMENSIONS mm							
	T1	T2	A	B	C	D	E	H	L	
ADGL-07-04	7/16 – 20	1/4 – 18	35					16		
ADGL-08-04	1/2 – 20	1/4 – 18	35					16		
ADGL-09-04	9/16 – 18	1/4 – 18	35.5					16		
ADGL-09-06	9/16 – 18	3/8 – 18	35.5					19		
ADGL-12-06	3/4 – 16	3/8 – 18	37.5					22		
ADGL-14-06	7/8 – 14	3/8 – 18	41.5					26		
ADGL-12-08	3/4 – 16	1/2 – 14	43.5					22		
ADGL-14-08	7/8 – 14	1/2 – 14	46					26		
ADGL-17-08	1-1/16 – 12	1/2 – 14	50.5					29		
ADGL-12-12	3/4 – 16	3/4 – 14	45					29		
ADGL-14-12	7/8 – 14	3/4 – 14	47.5					29		
ADGL-17-12	1-1/16 – 12	3/4 – 14	50.5					29		
ADGL-19-12	1-3/16 – 12	3/4 – 14	51					32		
ADGL-21-12	1-5/16 – 12	3/4 – 14	51.5					35		
ADGL-17-16	1-1/16 – 12	1" – 11-1/2	55.5					35		
ADGL-19-16	1-3/16 – 12	1" – 11-1/2	56					35		
ADGL-21-16	1-5/16 – 12	1" – 11-1/2	60					35		
ADGL-26-16	1-5/8 – 12	1" – 11-1/2	59					44		
ADGL-21-20	1-5/16 – 12	1-1/4 – 11-1/2	60					44		
ADGL-26-20	1-5/8 – 12	1-1/4 – 11-1/2	60					44		
ADGL-30-20	1-7/8 – 12	1-1/4 – 11-1/2	56.5					48		



[Contents Page](#)

**ADNB SERIES – ‘O’-RING BOSS – BSPP ADAPTORS**

PART NUMBER	THREAD		DIMENSIONS mm								
	T1	T2	A	B	C	D	E	H			
ADNB-09-04	9/16 – 18	1/4 – 19	29						19		
ADNB-09-06	9/16 – 18	3/8 – 19	30.5						19		
ADNB-12-06	3/4 – 16	3/8 – 19	32.5						22		
ADNB-12-08	3/4 – 16	1/2 – 14	36						22		
ADNB-14-08	7/8 – 14	1/2 – 14	39						26		
ADNB-17-08	1-1/16 – 12	1/2 – 14	43						32		
ADNB-17-12	1-1/16 – 12	3/4 – 14	46						32		
ADNB-21-12	1-5/16 – 12	3/4 – 14	46						38		
ADNB-21-16	1-5/16 – 12	1" – 11	49.5						38		
ADNB-26-20	1-5/8 – 12	1-1/4 – 11	54.5						48		
ADNB-30-24	1-7/8 – 12	1-1/2 – 11	56.5						57		



[Contents Page](#)

**ADGN SERIES – JIC – ‘O’-RING BOSS ADAPTORS**

PART NUMBER	THREAD		DIMENSIONS mm							
	T1	T2	A	B	C	D	E	H1	H2	
ADGN-07-07	7/16 – 20	7/16 – 20	30						16	
ADGN-08-08	1/2 – 20	1/2 – 20	30						16	
ADGN-09-09	9/16 – 18	9/16 – 18	32.5						19	
ADGN-12-09	3/4 – 16	9/16 – 18	35						22	
ADGN-08-12	1/2 – 20	3/4 – 16	34						22	
ADGN-09-12	9/16 – 18	3/4 – 16	34						22	
ADGN-12-12	3/4 – 16	3/4 – 16	36.5						22	
ADGN-14-12	7/8 – 14	3/4 – 16	36.5						26	
ADGN-17-12	1-1/16 – 12	3/4 – 16	41.5						29	
ADGN-08-14	1/2 – 20	7/8 – 14	35.7						26	
ADGN-09-14	9/16 – 18	7/8 – 14	35.7						26	
ADGN-12-14	3/4 – 16	7/8 – 14	39.7						26	
ADGN-14-14	7/8 – 14	7/8 – 14	42.5						26	
ADGN-17-14	1-1/16 – 12	7/8 – 14	45.5						29	
ADGN-19-14	1-3/16 – 12	7/8 – 14	46						32	
ADGN-12-17	3/4 – 16	1-1/16 – 12	43.5						32	
ADGN-14-17	7/8 – 14	1-1/16 – 12	46						32	
ADGN-17-17	1-1/16 – 12	1-1/16 – 12	49						32	
ADGN-21-17	1-5/16 – 12	1-1/16 – 12	50						35	
ADGN-14-19	7/8 – 14	1-3/16 – 12	46						35	
ADGN-17-19	1-1/16 – 12	1-3/16 – 12	49						35	
ADGN-19-19	1-3/16 – 12	1-3/16 – 12	49						35	
ADGN-21-19	1-5/16 – 12	1-3/16 – 12	50						35	
ADGN-17-21	1-1/16 – 12	1-5/16 – 12	50						38	
ADGN-21-21	1-5/16 – 12	1-5/16 – 12	51						38	
ADGN-26-21	1-5/8 – 12	1-5/16 – 12	52						44	
ADGN-17-26	1-1/16 – 12	1-5/8 – 12	50						48	
ADGN-26-30	1-5/8 – 12	1-7/8 – 12	52						57	
ADGN-30-30	1-7/8 – 12	1-7/8 – 12	55.5						57	



## SOLID PIECE RANGE AND CATERPILLAR® RANGE

### PART NUMBER

S006-23-16 (VL) L5"  
S023-08-08 (VS)  
S023-08-08 (VL)  
S023-08-12 (VL)  
S023-09-08 (VS)  
S023-10-08 (VS)  
S023-10-10 (VS)  
S023-10-10 (VL)  
S023-12-10 (VL)  
S023-12-08 (VS)  
S023-12-08 (VL)  
S023-12-10 (VS)  
S023-12-10 (VL)  
S023-12-12 (VL)  
S023-12-12 (VL) L3"  
S023-12-12 (VL) L4"  
S023-12-12 (VL) L5"  
S023-12-16 (VL)  
S023-14-08 (VS)  
S023-14-08 (VL)  
S023-14-12 (VL)  
S023-14-12 (VL) HD  
S023-14-16 (VL)  
S023-16-12 (VL)  
S023-16-12 (VL) L3"  
S023-16-12 (VL) L4"  
S023-16-16 (VL) NH  
S023-16-16 (VL)  
S023-16-16 (VL) L3"  
S023-16-16 (VL) L4"  
S023-16-20 (VL)  
S023-18-12 (VL)  
S023-18-12 (VL) HD  
S023-18-16 (VL) L4"  
S023-18-16 (VL)  
S023-18-16 (VL) HD  
S023-20-16 (VL)  
S023-20-20 (VL) L4"  
S023-20-20 (VL)  
S023-20-24 (VL)  
S023-22-16 (VL)  
S023-22-16 (VL) HD  
S023-22-20 (VL)  
S023-22-20 (VL) HD  
S023-24-20 (VL)  
S023-24-24 (VL)  
S023-26-20 (VL)  
S023-26-20 (VL) HD  
S023-26-24 (VL)  
S023-26-24 (VL) HD  
S023-32-24 (VL)  
S023-32-32 (VL)  
S023-40-32 (VL)  
S051-04-04 (VS)  
S051-04-05 (VS)





## SOLID PIECE RANGE AND CATERPILLAR® RANGE

### PART NUMBER

S051-04-06 (VS)  
S051-06-05 (VS)  
S051-06-06 (VS)  
S051-08-06 (VS)  
S051-08-08 (VS)  
S051-10-08 (VS)  
S051-10-10 (VS)  
S051-12-12 (VS)  
S051-12-12 (VL)  
S051-16-12 (VS)  
S051-16-16 (VS)  
S051-16-16 (VL)  
S051-20-20 (VS)  
S051-20-20 (VL)  
S051-24-24 (VS)  
S051-24-24 (VL)  
S051-32-32 (VL)  
S053-10-06 (VS)  
S055-07-04 (VS)  
S055-08-04 (VS)  
S055-08-05 (VS)  
S055-08-06 (VS)  
S055-09-04 (VS)  
S055-09-05 (VS)  
S055-09-06 (VS)  
S055-09-06 (VS) L3"  
S055-09-06 (VS) L4"  
S055-09-06 (VS) L5"  
S055-09-06 (VS) L6"  
S055-12-06 (VS)  
S055-12-06 (VS) L3"  
S055-12-06 (VS) L4"  
S055-12-08 (VS)  
S055-14-06 (VS)  
S055-14-08 (VS)  
S055-14-10 (VS)  
S055-17-08 (VS)  
S055-17-10 (VS)  
S055-17-12 (VS)  
S055-17-12 (VL)  
S055-21-12 (VL)  
S055-21-16 (VS)  
S055-21-16 (VL)  
S055-26-20 (VS)  
S055-26-20 (VL)  
S055-30-24 (VL)  
S056-09-04 (VS)  
S056-11-06 (VS)  
S056-13-08 (VS)  
S056-16-08 (VS)  
S056-16-10 (VS)  
S056-19-12 (VL)  
S056-19-12 (VL) L3"  
S056-19-12 (VL) L4"





## SOLID PIECE RANGE AND CATERPILLAR® RANGE

### PART NUMBER

S056-23-16 (VL)  
S056-27-20 (VL)  
S059-08-08 (VS)  
S059-08-08 (VS) L3"  
S059-08-08 (VS) L5"  
S059-08-08 (VL)  
S059-08-12 (VL) L5"  
S059-10-08 (VS)  
S059-10-10 (VS)  
S059-10-10 (VL)  
S059-12-08 (VS)  
S059-12-08 (VL)  
S059-12-10 (VS)  
S059-12-12 (VL)  
S059-12-12 (VL) L3"  
S059-12-12 (VL) L4"  
S059-12-12 (VL) L5"  
S059-12-12(VL) L6"  
S059-12-16 (VL)  
S059-12-16 (VL) L4"  
S059-12-16 (VL) L5"  
S059-14-08 (VS)  
S059-14-12 (VL)  
S059-14-12 (VL) L4"  
S059-14-12 (VL) L5"  
S059-14-12 (VL) HD  
S059-14-16 (VL)  
S059-16-12 (VL)  
S059-16-12 (VL) L3 1/2"  
S059-16-16 (VL)  
S059-16-16 (VL) L4"  
S059-16-16 (VL) L5"  
S059-16-16 (VL) L6"  
S059-16-20 (VL)  
S059-18-12 (VL)  
S059-18-12 (VL) HD  
S059-18-16 (VL)  
S059-18-16 (VL) L4"  
S059-18-16 (VL) L5"  
S059-18-16 (VL) L6"  
S059-18-16 (VL) HD  
S059-20-16 (VL)  
S059-20-16 (VL) L3"  
S059-20-16 (VL) L4"  
S059-20-16 (VL) L6"  
S059-20-20 (VL) L5"  
S059-20-20 (VL)  
S059-20-24 (VL)  
S059-22-16 (VL)  
S059-22-16 (VL) HD  
S059-22-20 (VL)  
S059-22-20 (VL) HD  
S059-24-16 (VL)  
S059-24-20 (VL)





## SOLID PIECE RANGE AND CATERPILLAR® RANGE

### PART NUMBER

S059-24-24 (VL)  
S059-26-20 (VL)  
S059-26-20 (VL) HD  
S059-26-24 (VL)  
S059-26-24 (VL) HD  
S059-32-20 (VL)  
S059-32-24 (VL)  
S059-32-32 (VL)  
S060-04-04 (VS)  
S060-06-04 (VS)  
S060-06-05 (VS)  
S060-06-06 (VS)  
S060-08-06 (VS)  
S060-08-08 (VS)  
S060-10-08 (VS)  
S060-10-10 (VS)  
S060-12-12 (VS)  
S060-12-12 (VL)  
S060-16-16 (VS)  
S060-16-16 (VL)  
S060-20-20 (VL)  
S060-24-24 (VL)  
S060-32-32 (VL)  
S062-08-08 (VS)  
S062-12-08 (VL)  
S062-12-12 (VL)  
S062-14-12 (VL)  
S062-16-12 (VL)  
S062-16-16 (VL)  
S062-18-16 (VL)  
S062-20-16 (VL)  
S062-20-20 (VL)  
S062-24-24 (VL)  
S062-26-20 (VL)  
S062-32-32 (VL)  
S063-08-08 (VS)  
S063-12-08 (VL)  
S063-12-12 (VL)  
S063-14-12 (VL)  
S063-16-12 (VL)  
S063-16-16 (VL)  
S063-18-12 (VL) HD  
S063-18-16 (VL)  
S063-18-16 (VL) HD  
S063-20-16 (VL)  
S063-20-20 (VL)  
S063-22-16 (VL) HD  
S063-22-20 (VL) HD  
S063-24-20 (VL)  
S063-24-24 (VL)  
S063-26-20 (VL)  
S063-26-20 (VL) HD  
S063-32-32 (VL)





## SOLID PIECE RANGE AND CATERPILLAR® RANGE

### PART NUMBER

S064-07-04 (VS)  
S064-08-04 (VS)  
S064-08-05 (VS)  
S064-08-06 (VS)  
S064-09-04 (VS)  
S064-09-05 (VS)  
S064-09-06 (VS)  
S064-12-06 (VS)  
S064-12-08 (VS)  
S064-14-08 (VS)  
S064-14-10 (VS)  
S064-17-08 (VS)  
S064-17-10 (VS)  
S064-17-12 (VL)  
S064-17-12 (VS)  
S064-21-12 (VL)  
S064-21-16 (VS)  
S064-21-16 (VL)  
S064-26-20 (VS)  
S064-26-20 (VL)  
S066-08-08 (VS)  
S066-09-08 (VS)  
S066-12-12 (VL)  
S066-14-08 (VS)  
S066-16-12 (VL)  
S066-16-16 (VL)  
S066-18-12 (VL)  
S066-18-12 (VL) HD  
S066-18-12 (VS)  
S066-18-16 (VL) HD  
S066-20-16 (VL)  
S066-20-20 (VL)  
S066-22-16 (VL)  
S066-22-16 (VL) HD  
S066-22-20 (VL)  
S066-22-20 (VL) HD  
S066-24-20 (VL)  
S066-24-24 (VL)  
S066-26-20 (VL)  
S066-32-24 (VL)  
S066-32-32 (VL)  
S067-08-08 (VS)  
S067-12-08 (VS)  
S067-12-12 (VL)  
S067-16-12 (VL)  
S067-16-16 (VL)  
S067-18-16 (VL)  
S067-20-16 (VL)  
S067-20-20 (VL)  
S067-24-20 (VL)  
S067-24-24 (VL)  
S067-26-20 (VL) HD  
S067-32-24 (VL)  
S067-32-32 (VL)





## SOLID PIECE RANGE AND CATERPILLAR® RANGE

### PART NUMBER

S068-08-08 (VS)  
S068-08-08 (VL)  
S068-09-08 (VS)  
S068-10-10 (VS)  
S068-10-10 (VL)  
S068-12-08 (VS)  
S068-12-08 (VL)  
S068-12-10(VS)  
S068-12-12 (VL) L4"  
S068-12-12 (VL)  
S068-14-08 (VS)  
S068-14-12 (VL)  
S068-14-12 (VL) HD  
S068-14-16 (VL)  
S068-16-12 (VL) L4"  
S068-16-12 (VL)  
S068-16-16 (VL) L4"  
S068-16-16 (VL)  
S068-18-12 (VL)  
S068-18-12 (VL) HD  
S068-18-16 (VL)  
S068-18-16 (VL) HD  
S068-20-16 (VL)  
S068-20-20 (VL)  
S068-22-16 (VL)  
S068-22-16 (VL) HD  
S068-22-20 (VL)  
S068-22-20 (VL) HD  
S068-24-20 (VL)  
S068-24-16 (VL)  
S068-24-20 (VL)  
S068-24-24 (VL)  
S068-26-20 (VL)  
S068-26-20 (VL) HD  
S068-26-24 (VL)  
S068-26-24 (VL) HD  
S068-32-24 (VL)  
S068-32-32 (VL)  
S526-04-04 (VS)  
S526-06-06 (VS)  
S526-08-08 (VS)  
S526-12-12 (VS)  
S526-16-16 (VS)  
S603-10-06 (VS)  
S666-11-06 (VS)  
S666-13-08 (VS)  
S851-12-04 (VS)  
S851-16-06 (VS)  
S851-22-08 (VS)  
S853-12-04 (VS)  
S853-14-04 (VS)  
S853-16-06 (VS)  
S853-22-08 (VS)





## SOLID PIECE RANGE AND CATERPILLAR® RANGE

### PART NUMBER

S856-18-06 (VS)  
S856-18-16 (VS)  
S861-18-06 (VS)  
S861-22-08 (VS)  
S863-14-06 (VS)  
S863-16-06 (VS)  
S863-18-06 (VS)  
S863-22-08 (VS)  
S864-22-08 (VS)  
S864-24-08 (VS)  
S865-24-08 (VS)  
S866-18-06 (VS)  
S875-14-04 (VS)  
S875-16-06 (VS)  
S875-18-06 (VS)  
S875-20-06 (VS)  
S875-20-08 (VS)  
S875-22-08 (VS)



[Contents Page](#)

(VS) Solid piece – standard tail  
(VL) Solid piece – multispiral tail  
HD Heavy Duty Nut Fittings or Caterpillar® or 9000 series



*Manufacturer & Exporter*

**SUNWAY HYDRAULICS INDUSTRIES SDN BHD** (103260-H)

Factory: No. 1-4, Jalan SR 4/20, Serdang Raya, 43300 Seri Kembangan, Selangor Darul Ehsan, Malaysia.

Tel: (60)3 89482622

Fax: (60)3 89482637

Website: [www.sunway.com.my/sunflex](http://www.sunway.com.my/sunflex)

E-mail: [sunflex@sunway.com.my](mailto:sunflex@sunway.com.my)